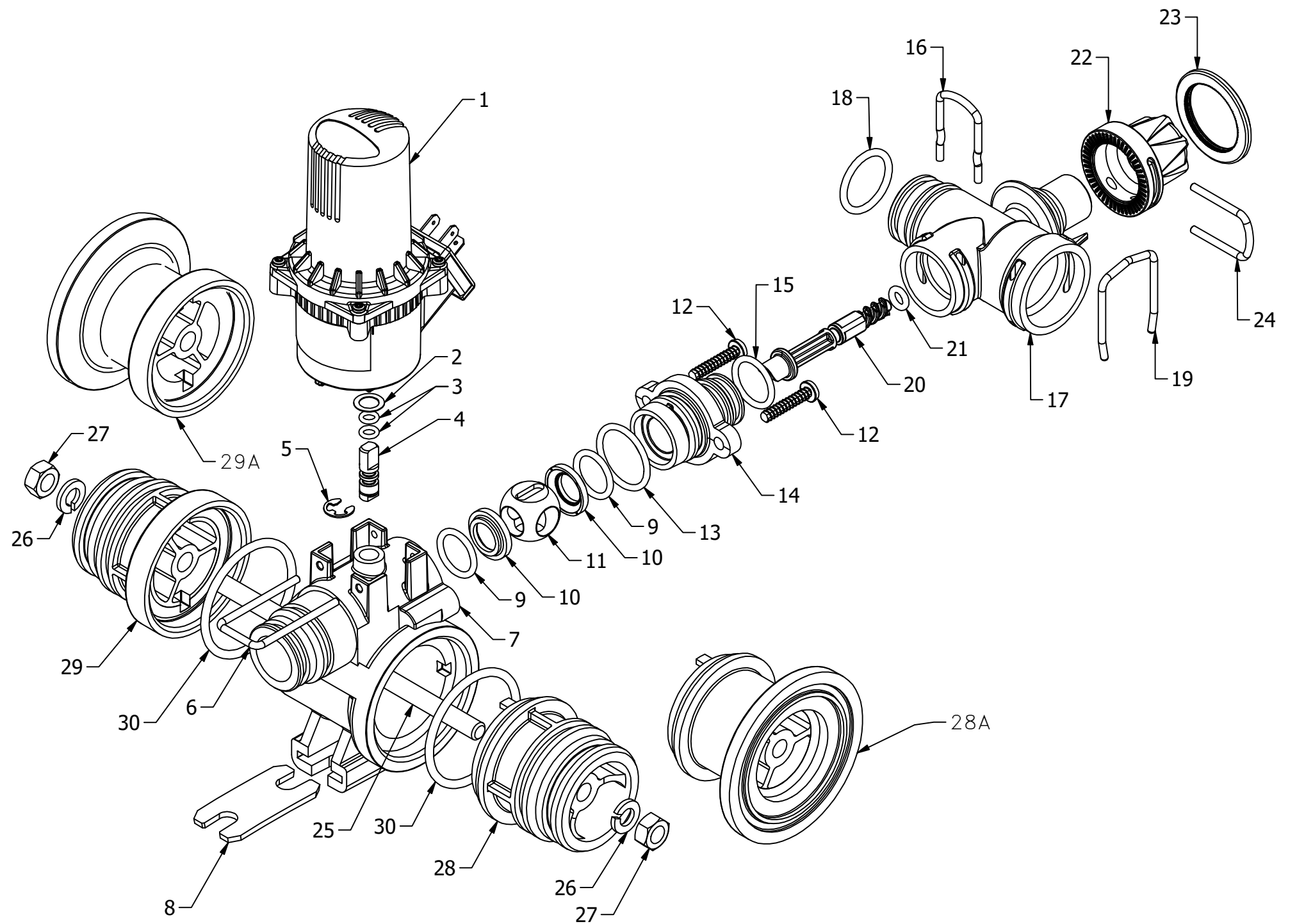


ITEM	PART NO.	DESCRIPTION
1	58445	EC MOTOR, 22-RPM (0.7-SEC), DIN CONNECTION, POSITIVELY SWITCHED
	58446	E MOTOR, 22-RPM (0.7-SEC), DIN CONNECTION, POSITIVELY SWITCHED
	58447	EC MOTOR, 22-RPM (0.7-SEC), DIN CONNECTION, NEGATIVELY SWITCHED
2	CP58436-302SS	FLAT WASHER, 302 STAINLESS STEEL
3	CP7717-M4.8X1.8-VI	O-RING, VITON (2 REQ'D)
4	CP58435-SS	STEM, 303 STAINLESS STEEL
5	CP58469-SS	E-CLIP RETAINING RING, 17PH STAINLESS STEEL
6	CP58450-302SS	MOTOR RETAINING CLIP, 302 STAINLESS STEEL
7	CP58431-PP	VALVE BODY, POLYPROPYLENE (BLACK)
8	CP50507-304SS	MOUNTING PLATE, 304 STAINLESS STEEL
9	CP7717-2-115-VI	O-RING, VITON (2 REQ'D)
10	CP58434-TEF	SEAL, TEFLON (2 REQ'D)
11	CP58433-SS	THREE-WAY BALL, 303 STAINLESS STEEL
12	CP58465-302SS	SCREW, 302 STAINLESS STEEL (2 REQ'D)
13	CP7717-2-120-VI	O-RING, VITON
14	CP58455-PP	BYPASS END CAP, POLYPROPYLENE (BLACK)
15	CP7717-2-116-VI	O-RING, VITON
16	CP58457-304SS	BYPASS RETAINING CLIP, 304 STAINLESS STEEL
17	CP58460-PP	REGULATED BYPASS BODY, POLYPROPYLENE (BLACK)
18	CP7717-3-912-VI	O-RING, VITON
19	CP37166-1-302SS	REGULATED BYPASS BODY RETAINING CLIP, 302 STAINLESS STEEL
20	CP58461-PP	REGULATED BYPASS PLUNGER, POLYPROPYLENE (BLACK)
21	CP7717-2-107-VI	O-RING, VITON
22	CP58462-PP	REGULATED BYPASS DIAL, CELCON (GREY)
23	CP58463-NY	REGULATED BYPASS INDICATOR RING, ABS (BLACK)
24	CP58464-302SS	REGULATED BYPASS DIAL RETAINING CLIP, 302 STAINLESS STEEL
25	CP58468-1-SS	ONE BANK MANIFOLD CONNECTING ROD, 303 STAINLESS STEEL
	CP58468-2-SS	TWO BANK MANIFOLD CONNECTING ROD, 303 STAINLESS STEEL
	CP58468-3-SS	THREE BANK MANIFOLD CONNECTING ROD, 303 STAINLESS STEEL
	CP58468-4-SS	FOUR BANK MANIFOLD CONNECTING ROD, 303 STAINLESS STEEL
	CP58468-5-SS	FIVE BANK MANIFOLD CONNECTING ROD, 303 STAINLESS STEEL
	CP58468-6-SS	SIX BANK MANIFOLD CONNECTING ROD, 303 STAINLESS STEEL
	CP58468-7-SS	SEVEN BANK MANIFOLD CONNECTING ROD, 303 STAINLESS STEEL
	CP58468-8-SS	EIGHT BANK MANIFOLD CONNECTING ROD, 303 STAINLESS STEEL
	CP58468-9-SS	NINE BANK MANIFOLD CONNECTING ROD, 303 STAINLESS STEEL
26	CP58555-SS	M8 SPLIT LOCK WASHER (2 REQ'D)
27	CP46074-302SS	M8X1.25 HEX NUT, 302 STAINLESS STEEL (2 REQ'D)
28	CP58437-PP	MALE INLET ADAPTER, POLYPROYLENE (BLACK)
28A	CP98503-NYB	75 FLANGE MALE ADAPTER, NYLON (BLACK)
29	CP58438-PP	FEMALE INLET ADAPTER, POLYPROYLENE (BLACK)
29A	CP98502-NYB	75 FLANGE FEMALE ADAPTER, NYLONE (BLACK)
30	CP7717-2-225	O-RING, VITON (2 REQ'D)
	58472	VALVE BODY, SUB-ASS'Y, INCLUDES ITEMS (2-5, 7-18)
	AB430-KIT, SPARE PARTS KIT (INCLUDES ITEMS 3,9,10)	
	58562, 430 THREE WAY BALL & STEM KIT (INCLUDES ITEMS (2,3,4,5,11)	
	58563, INLET ADAPTER KIT (INCLUDES ITEMS 28,29,30)	
	58563-3, THREE VALVE MANIFOLD ASSEMBLY KIT (INCLUDES ITEMS 25-30)	
	58563-5, FIVE VALVE MANIFOLD ASSEMBLY KIT (INCLUDES ITEMS 25-30)	

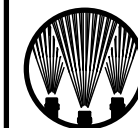
NOTE: ALL MANIFOLD ASSEMBLY KITS (58564-*) INCLUDE THE CORRECT ROD (ITEM 25) AND TWO PIECES OF ITEMS 25, 26, & 27.



ASSEMBLY NOTE: WHEN ASSEMBLING THE MANIFOLD, CENTER THE CONNECTING ROD (ITEM 25) BEFORE TIGHTENING HEX NUTS (ITEM 27).

DESCRIPTION:

430EC AND 430E
THREE WAY
DIRECTOVALVE®
ELECTRIC SHUT-OFF
BALL VALVE MANIFOLD
W/ REGULATED BYPASS



Spraying Systems Co.®
Spray Nozzles and Accessories
P.O. Box 7900 - Wheaton, IL 60187-7901

REVISION NO.	4	PARTS LIST	
REFERENCE:	10/20/2011	PL430EC-3	
SHEET:	1 OF 1	DWG SIZE:	B