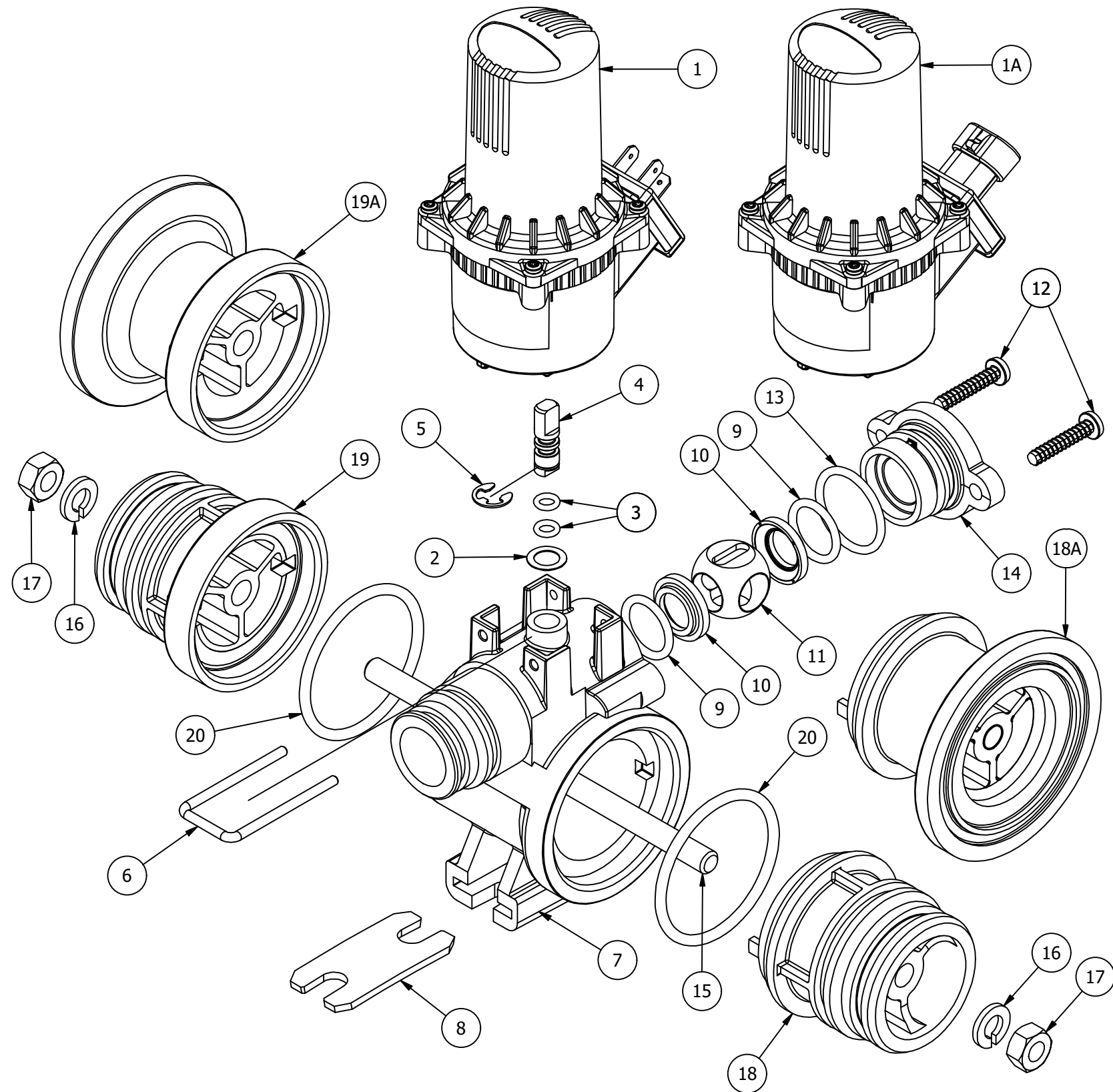


ITEM	PART NUMBER	DESCRIPTION
1	58445	EC MOTOR, 22-RPM (0.7-SEC), MINI-DIN CONNECTION, POSITIVELY SWITCHED
	58446	E MOTOR, 22-RPM (0.7-SEC), MINI-DIN CONNECTION, POSITIVELY SWITCHED
	58447	EC MOTOR, 22-RPM (0.7-SEC), MINI-DIN CONNECTION, NEGATIVELY SWITCHED
	58449	EC MOTOR, 22-RPM (0.7-SEC), MINI-DIN CONNECTION, POSITIVELY SWITCHED, NORMALLY OPEN
1A	58445-P	EC MOTOR, 22-RPM (0.7-SEC), METRI-PACK CONNECTION, POSITIVELY SWITCHED
	58446-P	E MOTOR, 22-RPM (0.7-SEC), METRI-PACK CONNECTION, POSITIVELY SWITCHED
	58447-P	EC MOTOR, 22-RPM (0.7-SEC), METRI-PACK CONNECTION, NEGATIVELY SWITCHED
	58449-P	EC MOTOR, 22-RPM (0.7-SEC), METRI-PACK CONNECTION, POSITIVELY SWITCHED, NORMALLY OPEN
2	CP58436-302SS	FLAT WASHER, 302 STAINLESS STEEL
3	CP7717-M4.8X1.8-VI	O-RING, VITON® (2 REQ'D)
4	CP58435-SS	STEM, 303 STAINLESS STEEL
5	CP58469-SS	E-CLIP RETAINING CLIP, 17PH STAINLESS STEEL
6	CP58450-302SS	MOTOR RETAINING CLIP, 302 STAINLESS STEEL
7	CP58431-PP	VALVE BODY, POLYPROPYLENE (BLACK)
8	CP50507-304SS	MOUNTING PLATE, 304 STAINLESS STEEL
9	CP7717-2/115-VI	O-RING, VITON®(2 REQ'D)
10	CP58434-TEF	SEAL, TEFLON® (2 REQ'D)
11	CP58433-SS	2-WAY BALL, 303 STAINLESS STEEL
12	CP58465-302SS	SCREW. 302 STAINLESS STEEL (2 REQ'D)
13	CP7717-2/120-VI	O-RING, VITON®
14	CP58432-NYB	END CAP, NYLON (BLACK)
15	CP58468-*-SS	MANIFOLD CONNECTING ROD, 303 STAINLESS STEEL (* INDICATES NUMBER OF SECTIONS, UP TO 15)
16	CP58555-SS	M8 SPLIT LOCK WASHER (2 REQ'D)
17	CP46074-302SS	M8X1.25 HEX NUT, 302 STAINLESS STEEL (2 REQ'D)
18	CP58437-PP	MALE INLET ADAPTER, POLYPROPYLENE (BLACK)
18A	CP98503-NYB	75-SERIES FLANGE MALE ADAPTER, NYLON (BLACK)
19	CP58438-PP	FEMALE INLET ADAPTER, POLYPROPYLENE (BLACK)
19A	CP98502-NYB	75-SERIES FLANGE FEMALE ADAPTER, NYLON (BLACK)
20	CP7717-2-225-VI	O-RING, VITON® (2-REQ' D)
	58470	VALVE BODY SUB-ASS'Y, INCLUDES ITEMS 2-5, 7-14
AB430-KIT: SPARE PARTS KIT (INCLUDES ITEMS 3, 9 & 10)		
58561: 430 2-WAY BALL & STEM KIT (INCLUDES ITEMS 2, 3, 4, 5 & 11)		
58563: INLET ADAPTER KIT (INCLUDES ITEMS 18, 19 & 20)		
58564-*: MANIFOLD ASSEMBLY KIT (* INDICATES NUMBER OF SECTIONS, INCLUDES ITEMS 15-20)		

NOTE: ALL MANIFOLD ASSEMBLY KITS (58564-*) INCLUDE THE CORRESPONDING ROD (ITEM 15) AND TWO PIECES OF ITEMS 16, 17 & 20).

TEFLON® IS A REGISTERED TRADEMARK OF DUPONT COMPANY.
VITON® IS A REGISTERED TRADEMARK OF DUPONT DOW ELASTOMERS.



DESCRIPTION:

430EC & 430E
DIRECTOVALVE®
ELECTRIC SHUT-OFF
BALL VALVE MANIFOLD



REVISION NO.

6

REFERENCE:

7/26/2026

Parts List No.

PL430EC-2

SHEET:

1 OF 1

DWG SIZE:

B