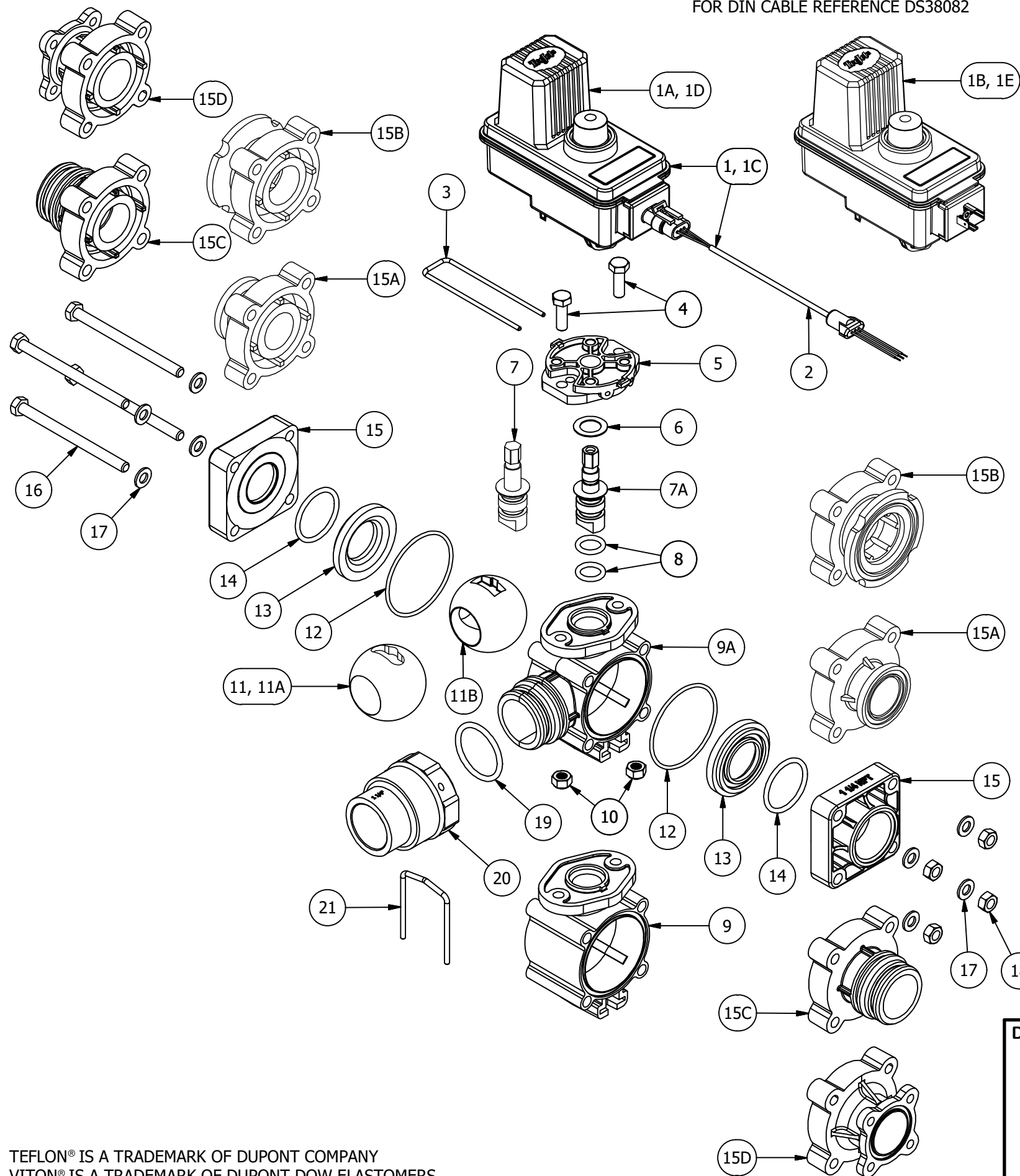


FOR METRI-PACK CABLE REFERENCE DS98546;
FOR DIN CABLE REFERENCE DS38082



TEFLON® IS A TRADEMARK OF DUPONT COMPANY
VITON® IS A TRADEMARK OF DUPONT DOW ELASTOMERS

ITEM	PART NUMBER	DESCRIPTION
# 1	50515-25CP03	BEC MOTOR, 25 RPM (0.6 SEC), 0.3 METER CABLE, POSITIVELY SWITCHED
	50515-25CP05	BEC MOTOR, 25 RPM (0.6 SEC), 0.5 METER CABLE, POSITIVELY SWITCHED
	50515-25CP15	BEC MOTOR, 25 RPM (0.6 SEC), 1.5 METER CABLE, POSITIVELY SWITCHED
	50515-25CP60	BEC MOTOR, 25 RPM (0.6 SEC), 6.0 METER CABLE, POSITIVELY SWITCHED
# 1A	50515-25P	BEC MOTOR, 25 RPM (0.6 SEC), W/O CABLE, POSITIVELY SWITCHED
# 1B	50515-25DP	BEC MOTOR, 25 RPM (0.6 SEC), DIN CONNECTION
1C	50533-25C03	BE MOTOR, 25 RPM (0.6 SEC), 0.3 METER CABLE
	50533-25C05	BE MOTOR, 25 RPM (0.6 SEC), 0.5 METER CABLE
	50533-25C15	BE MOTOR, 25 RPM (0.6 SEC), 1.5 METER CABLE
	50533-25C60	BE MOTOR, 25 RPM (0.6 SEC), 6.0 METER CABLE
1D	50533-25P	BE MOTOR, 25 RPM (0.6 SEC), W/O CABLE
1E	50533-25DP	BE MOTOR, 25 RPM (0.6 SEC), DIN CONNECTION
2	98546EC-	3-WIRE CABLE W/ METRI-PACK TOWER CONNECTION
3	CP50517-SSPV	RETAINING CLIP, 304 STAINLESS STEEL
4	CP46073-25-302SS	HEX HEAD CAP SCREW, STAINLESS STEEL (2 REQ'D)
5	CP50514-PP	MOTOR ADAPTER, POLYPROPYLENE (BLACK)
* 6	CP23550-TEF	THRUST WASHER, TEFLON
7	CP56619-2-303SS	STEM, 303 STAINLESS STEEL (2-WAY)
7A	CP56634-3-303SS	STEM, 303 STAINLESS STEEL (3-WAY)
* 8	CP7717-2/208-VI	O-RING, VITON (2 REQ'D)
9	CP116225-NYB	BODY, NYLON (BLACK) (2-WAY)
9A	CP116226-NYB	BODY, NYLON (BLACK) (3-WAY) (LARGE QUICK CONNECT)
10	CP38435-M8-SSNY	ELASTIC LOCKNUT, STAINLESS STEEL (2 REQ'D)
11	CP23543-PP	BALL, POLYPROPYLENE (WHITE) (2-WAY)
11A	CP46079-SS	BALL, 303 STAINLESS STEEL (2-WAY)
11B	CP23545-PP	BALL, POLYPROPYLENE (WHITE) (3-WAY)
* 12	CP7717-2/145-VI	O-RING, VITON (2 REQ'D)
* 13	CP23549-TEF	SEAL, TEFLON (2 REQ'D)
* 14	CP7717-2/222-VI	O-RING, VITON (2 REQ'D)
15	CP23552-PP	END CAP, POLYPROPYLENE (BLACK) (1-1/4" NPT THREAD) (2 REQ'D)
	CPB23552-PP	END CAP, POLYPROPYLENE (BLACK) (1-1/4" BSPT THREAD) (2 REQ'D)
	CP23551-PP	END CAP, POLYPROPYLENE (BLACK) (1-1/2" NPT THREAD) (2 REQ'D)
	CPB23551-PP	END CAP, POLYPROPYLENE (BLACK) (1-1/2" BSPT THREAD) (2 REQ'D)
15A	CP46064-PP	END CAP, POLYPROPYLENE (BLACK) (50-SERIES FLANGE) (2 REQ'D)
15B	CP72005-PP	END CAP, POLYPROPYLENE (BLACK) (75-SERIES FLANGE) (2 REQ'D)
15C	CP116222-NYB	END CAP, NYLON (BLACK) (LARGE QUICK CONNECT) (2 REQ'D)
15D	CP58556-PP	END CAP, POLYPROPYLENE (BLACK) (4-BOLT FLANGE) (2 REQ'D)
16	CP46073-110-302SS	HEX HEAD CAP SCREW, STAINLESS STEEL (4 REQ'D)
17	CP46078-302SS	FLAT WASHER, STAINLESS STEEL (8 REQ'D)
18	CP46074-302SS	HEX NUT, STAINLESS STEEL (4 REQ'D)
19	CP7717-M40X4-VI	O-RING, VITON
20	CP58475-NYB	LQC TO FEMALE THREADED ADAPTER, NYLON (BLACK) (1-1/4" NPT)
	CPB58475-NYB	LQC TO FEMALE THREADED ADAPTER, NYLON (BLACK) (1-1/4" BSPT)
	CP58476-NYB	LQC TO FEMALE THREADED ADAPTER, NYLON (BLACK) (1-1/2" NPT)
	CPB58476-NYB	LQC TO FEMALE THREADED ADAPTER, NYLON (BLACK) (1-1/2" BSPT)
21	CP58439-302SS	CLIP, STAINLESS STEEL
	56683-_-_-	VALVE BODY SUB-ASS'Y. SPECIFY TYPE, OUTLET & MATERIAL (INCLUDES ITEMS 4-20)

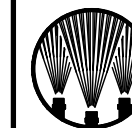
AB346B-KIT, SPARE PARTS KIT (INCLUDES ALL ITEMS MARKED WITH *)

NOTE: (B) IN PART NUMBER INDICATES B.S.P.T. INLET AND OUTLET CONNECTIONS

NOTE: FOR NEGATIVELY SWITCHED EC MOTORS SPECIFY "N" RATHER THAN "P" IN MOTOR PART NUMBER.
EXAMPLE: 50515-25CN05

DESCRIPTION:

366BE & 366BEC
DIRECTOVALVE®
ELECTRIC SHUT-OFF
BALL VALVE



Spraying Systems Co.®
Spray Nozzles and Accessories
P.O. Box 7900 - Wheaton, IL 60189-7900

REVISION NO.

REFERENCE:

8/23/2019

SHEET:

PARTS LIST

PL366BEC

DWG SIZE:

B