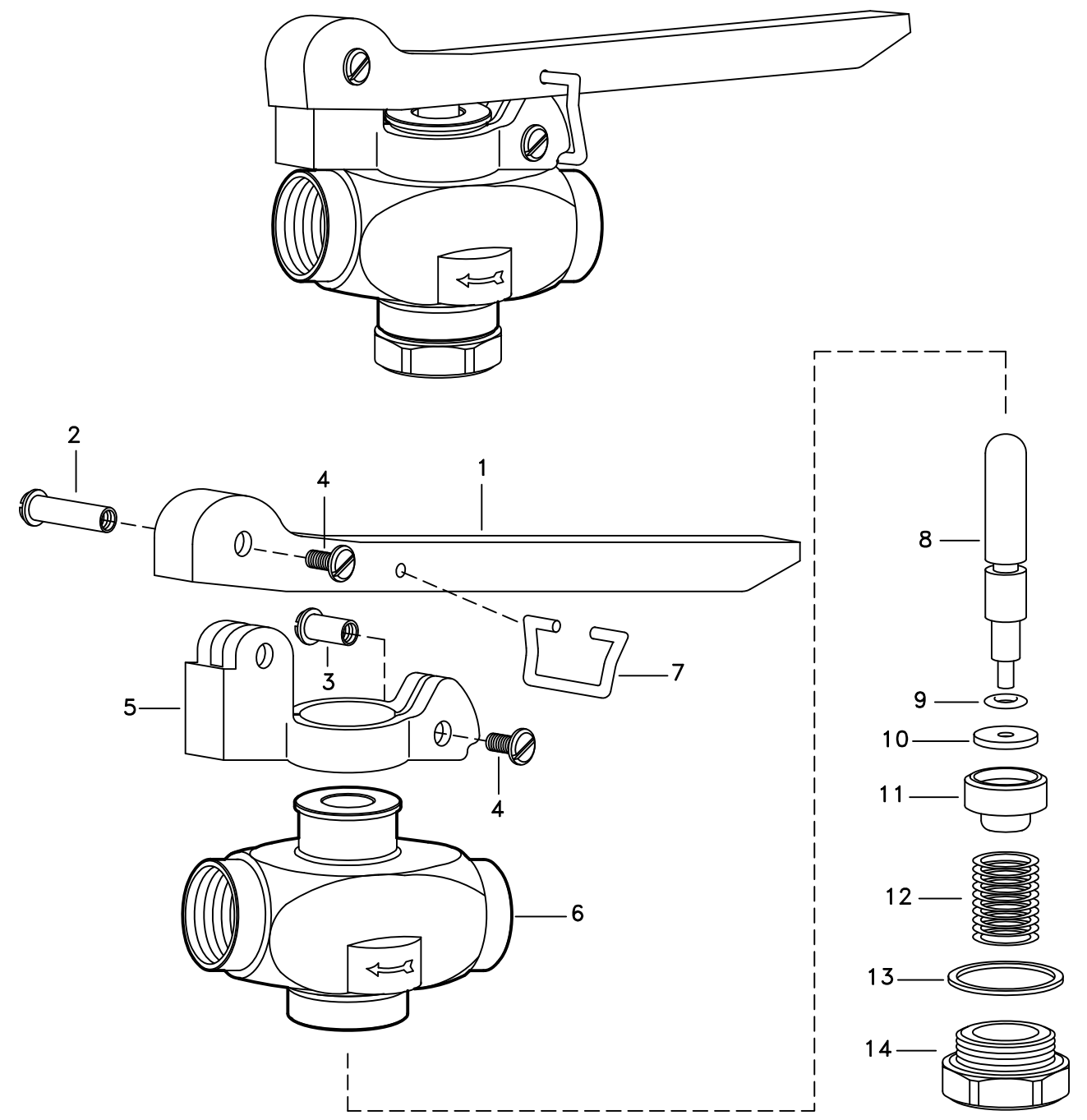


ITEM	PART NO.		DESCRIPTION
	BRASS	STAINLESS STEEL	
1	CP13032-INP	CP13032-INP	TRIGGER, STEEL, NICKEL PLATED
2	CP13039-INP	CP13039-INP	SCREW HOUSING, STEEL, NICKEL PLATED
3	CP13042-INP	CP13042-INP	SCREW HOUSING, STEEL, NICKEL PLATED
4	CP13040-INP	CP13040-INP	SCREW, STEEL, NICKEL PLATED (2 REQ'D)
5	CP13033-INP	CP13033-INP	TRIGGER SUPPORT, STEEL, NICKEL PLATED
6	CP12933-1/4	CP12933-1/4-SS	BODY, BRASS OR STAINLESS STEEL (FOR 36-1/4 OR 36-1/4-SS)
	CP12933-3/8	CP12933-3/8-SS	BODY, BRASS OR STAINLESS STEEL (FOR 36-3/8 OR 36-3/8-SS)
7	CP13035-INP	CP13035-INP	LOCK, STEEL, NICKEL PLATED
8	CP13034	CP13034-SS	STEM, BRASS OR STAINLESS STEEL
*	9	CP7717-3-VI	O'RING, VITON
*	10	CP8427-304SS	WASHER, TYPE 304 STAINLESS STEEL
*	11	CP8345-NY	VALVE SEAT, NYLON
*	12	CP13036-302SS	VALVE SPRING, TYPE 302 STAINLESS STEEL
*	13	CP4246-CU	GASKET, COPPER (FOR 36-1/4 & 36-3/8)
		CP7717-2/17-VI	O'RING, VITON (FOR 36-1/4-SS & 36-3/8-SS)
14	CP13031		END PLUG, BRASS (FOR 36-1/4 & 36-3/8)
		CP14964-SS	END PLUG, STAINLESS STEEL (FOR 36-1/4-SS & 36-3/8-SS)

No. AA36-1/4, TRIGGER VALVE, BRASS (1/4" NPT CONN.)
 No. AA36-3/8, TRIGGER VALVE, BRASS (3/8" NPT CONN.)
 No. AA36-1/4-SS, TRIGGER VALVE, STAINLESS STEEL (1/4" NPT CONN.)
 No. AA36-3/8-SS, TRIGGER VALVE, STAINLESS STEEL (3/8" NPT CONN.)

AB36-KIT, SPARE PARTS KIT (INCLUDES ALL ITEMS MARKED WITH *)
 AB36-SS-KIT, SPARE PARTS KIT (INCLUDES ALL ITEMS MARKED WITH *)



DESCRIPTION:
 NO. AA36-1/4, NO. AA36-3/8,
 NO. AA36-1/4-SS
 & NO. AA36-3/8-SS
 TRIGGER VALVES

 **Spraying Systems Co.[®]**
 Spray Nozzles and Accessories
 P.O. Box 7900 - Wheaton, IL 60189-7900

Rev. No.	Parts List No.
Ref.	PL 36 & 36-SS
	SHEET OF