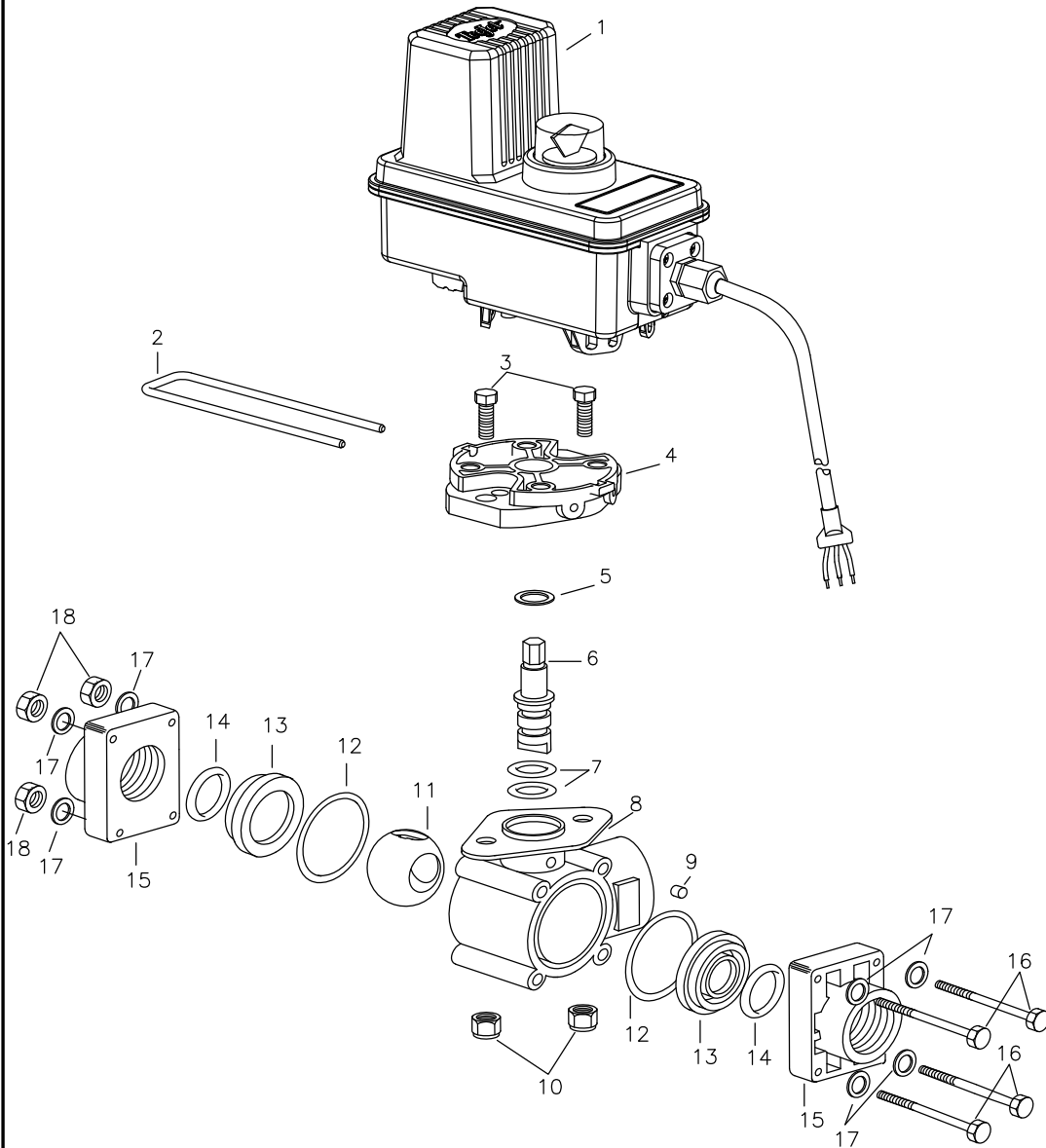


B346BEC-36-CN15RB



ITEM	PART NO.	DESCRIPTION
1	50515-25CN15RB	BEC MOTOR, 25-RPM (0.6-SEC), 1.5-Meter Cable, Negatively. Switched.
2	CP50517-SSPV	RETAINING CLIP, 304 STAINLESS STEEL
3	CP46073-25-302SS	HEX HEAD CAP SCREW, STAINLESS STEEL (2 REQ'D)
4	CP50514-PP	MOTOR ADAPTER, POLYPROPYLENE (BLACK)
5 *	CP23550-TEF	THRUST WASHER, TEFLON
6	CP56634-3-303SS	STEM, 303 STAINLESS STEEL (3-WAY)
7 *	CP7717-2/208-VI	O-RING, VITON (2 REQ'D)
8	CPB23548-PP	BODY, POLYPROPYLENE (BLACK) (3-WAY), (1-1/2" BSPT TH'D)
9 *	CP20126-FELT	DUST PLUG, FELT
10	CP38435-M8-SSNY	ELASTIC LOCKNUT, STAINLESS STEEL (2 REQ'D)
11	CP23545-PP	BALL, POLYPROPYLENE (WHITE) (3-WAY)
12 *	CP7717-2/145-VI	O-RING, VITON (2 REQ'D)
13 *	CP23549-TEF	SEAL, TEFLON (2 REQ'D)
14 *	CP7717-2/222-VI	O-RING, VITON (2 REQ'D)
15	CPB23551-PP	END CAP, POLYPROPYLENE (BLACK) (1-1/2" BSPT THD.) (2 REQ'D)
16	CP46073-110-302SS	HEX HEAD CAP SCREW, STAINLESS STEEL (4 REQ'D)
17	CP46078-302SS	FLAT WASHER, STAINLESS STEEL (8 REQ'D)
18	CP46074-302SS	HEX NUT, STAINLESS STEEL (4 REQ'D)
AB346B-KIT, SPARE PARTS KIT (INCLUDES ALL ITEMS MARKED WITH *)		

DESCRIPTION:

B346BEC-36-CN15RB
DIRECTVALVE®
ELECTRIC SHUT-OFF
BALL VALVE



Spraying Systems Co.®

Spray Nozzles and Accessories
P.O. Box 7900 - Wheaton, IL 60187-7901

Rev. No. 1

Ref. 11/6/2009

PARTS LIST
PL346BEC-36-CN15RB
SHEET OF