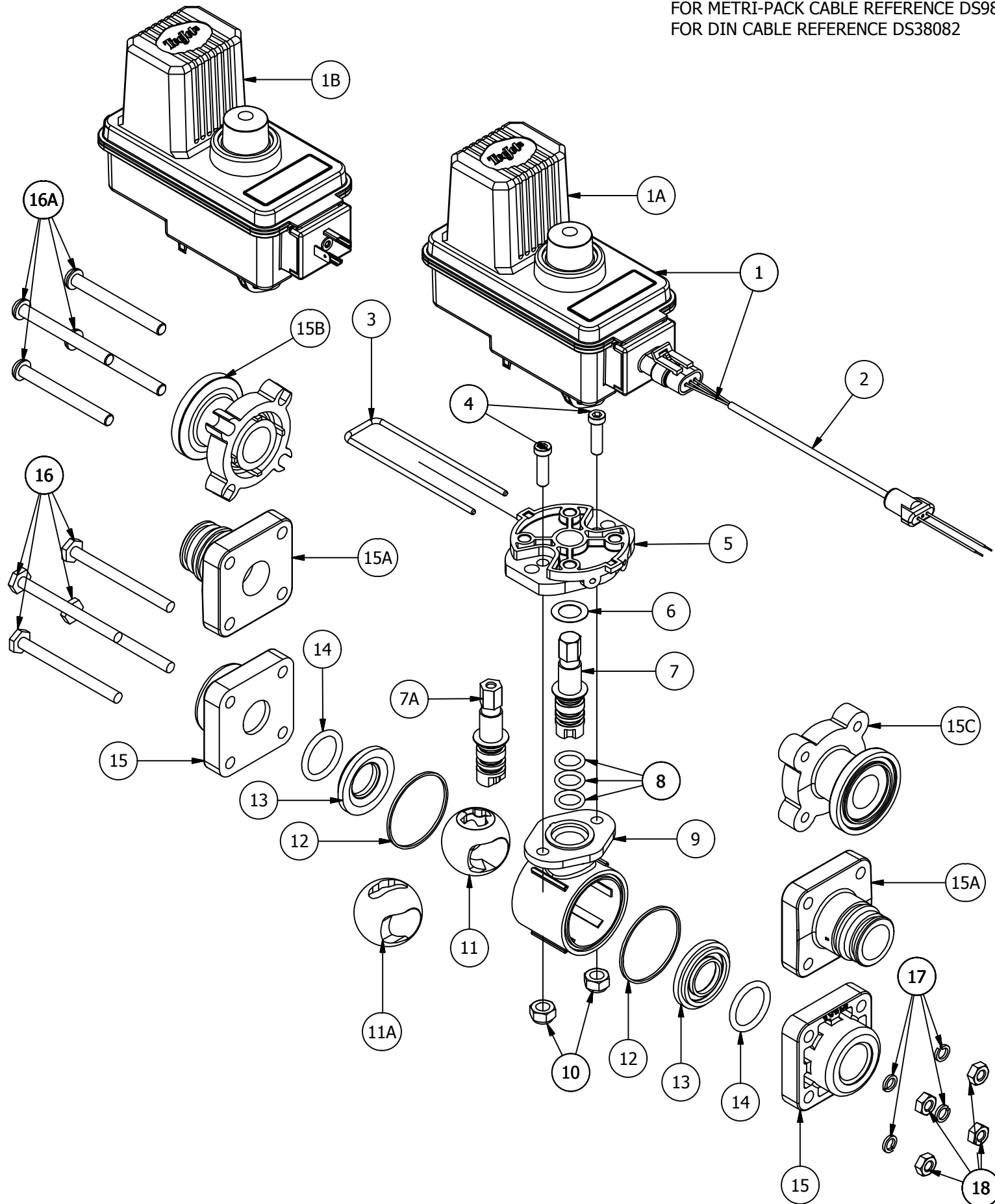


FOR METRI-PACK CABLE REFERENCE DS98546;
FOR DIN CABLE REFERENCE DS38082



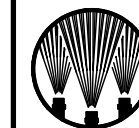
TEFLON® IS A TRADEMARK OF DUPONT COMPANY
VITON® IS A TRADEMARK OF DUPONT DOW ELASTOMERS

| ITEM | PART NUMBER | DESCRIPTION |
|---|--------------------|---|
| # 1 | 50516-01C__ | REGULATING MOTOR, 1-RPM (18-SEC), 2-WIRE METRI-PACK CABLE |
| | 50516-03C__ | REGULATING MOTOR, 3-RPM (6-SEC), 2-WIRE METRI-PACK CABLE |
| | 50516-06C__ | REGULATING MOTOR, 6-RPM (3-SEC), 2-WIRE METRI-PACK CABLE |
| # 1A | 50516-01 | REGULATING MOTOR, 1-RPM (18-SEC), W/O CABLE |
| | 50516-03 | REGULATING MOTOR, 3-RPM (6-SEC), W/O CABLE |
| | 50516-06 | REGULATING MOTOR, 6-RPM (3-SEC), W/O CABLE |
| # 1B | 50516-01D | REGULATING MOTOR, 1-RPM (18-SEC), DIN CONNECTION |
| | 50516-03D | REGULATING MOTOR, 3-RPM (6-SEC), DIN CONNECTION |
| | 50516-06D | REGULATING MOTOR, 6-RPM (3-SEC), DIN CONNECTION |
| 2 | 98546R-__ | 2-WIRE CABLE W/ METRI-PACK TOWER CONNECTION |
| 3 | CP50517-SSPV | RETAINING CLIP, 304 STAINLESS STEEL |
| 4 | CP26197-7/8-SS | SOCKET HEAD CAP SCREW, STAINLESS STEEL (2 REQ'D) |
| 5 | CP50514-PP | MOTOR ADAPTER, POLYPROPYLENE (BLACK) |
| * 6 | CP20125-TEF | THRUST WASHER, TEFLON |
| 7 | CP56613-SS | STEM, 303 STAINLESS STEEL (FOR POLYPROPYLENE BALL) |
| 7A | CP56615-SS | STEM, 303 STAINLESS STEEL (FOR 2-WAY STAINLESS STEEL BALL) |
| * 8 | CP7717-M12X2.5-VI | O-RING, VITON (3 REQ'D) |
| 9 | CP20101-NYB | BODY, NYLON (BLACK) (2-WAY) |
| 10 | CP38435-1/4-SSNY | ELASTIC LOCKNUT, STAINLESS STEEL (2 REQ'D) |
| 11 | CP22259-2-PP | RL BALL, POLYPROPYLENE (WHITE) |
| 11A | CP38441-1-SS | RL BALL, 303 STAINLESS STEEL (2-WAY) |
| * 12 | CP20564-VI | GASKET, VITON (2 REQ'D) |
| * 13 | CP20103-TEF | SEAL, TEFLON (2 REQ'D) |
| * 14 | CP7717-2/213-VI | O-RING, VITON (2 REQ'D) |
| 15 | CP20104-3/4-NYB | END CAP, NYLON (BLACK) (3/4" NPT THREAD) (2 REQ'D) |
| | CPB20104-3/4-NYB | END CAP, NYLON (BLACK) (3/4" BSPT THREAD) (2 REQ'D) |
| | CP20104-1-NYB | END CAP, NYLON (BLACK) (1" NPT THREAD) (2 REQ'D) |
| | CPB20104-1-NYB | END CAP, NYLON (BLACK) (1" BSPT THREAD) (2 REQ'D) |
| 15A | CP45514-NYB | END CAP, NYLON (BLACK) (QUICK CONNECT) (2 REQ'D) |
| 15B | CP45253-NYB | END CAP, NYLON (BLACK) (FLANGE) (1 REQ'D) |
| 15C | CP48265-NYB | END CAP, NYLON (BLACK) (FLANGE) (1 REQ'D) |
| 16 | CP20129-SS | BOLT, 1/4"-20 X 3" HEX, STAINLESS STEEL (4 REQ'D) |
| 16A | CP45252-2-3/4-SSPV | SCREW, PAN HEAD, STAINLESS STEEL (4 REQ'D) (FLANGE VERSION) |
| 17 | CP20128-SS | LOCK WASHER, 1/4", STAINLESS STEEL (4 REQ'D) |
| 18 | CP8535-SS | NUT, 1/4"-20 HEX, STAINLESS STEEL (4 REQ'D) |
| AB344AE-KIT, SPARE PARTS KIT (INCLUDES ALL ITEMS MARKED WITH *) | | |

NOTE: (B) IN PART NUMBER INDICATES B.S.P.T. INLET AND OUTLET CONNECTIONS
#NOTE: FOR METRI-PACK CABLE MOTORS SPECIFY CABLE LENGTH IN PART NUMBER-
03 (0.3-METER), 05 (0.5-METER), 15 (1.5-METER) OR 60 (6.0-METER).

DESCRIPTION:

344BRL DIRECTOVALVE®
ELECTRIC REGULATING BALL
VALVES



Spraying Systems Co.®
Spray Nozzles and Accessories
P.O. Box 7900 - Wheaton, IL 60189-7900

| | | |
|--------------|----------|-------------------------------|
| REVISION NO. | 3 | PARTS LIST PL344BRL |
| REFERENCE: | 4/2/2015 | |
| SHEET: | | DWG SIZE: B |