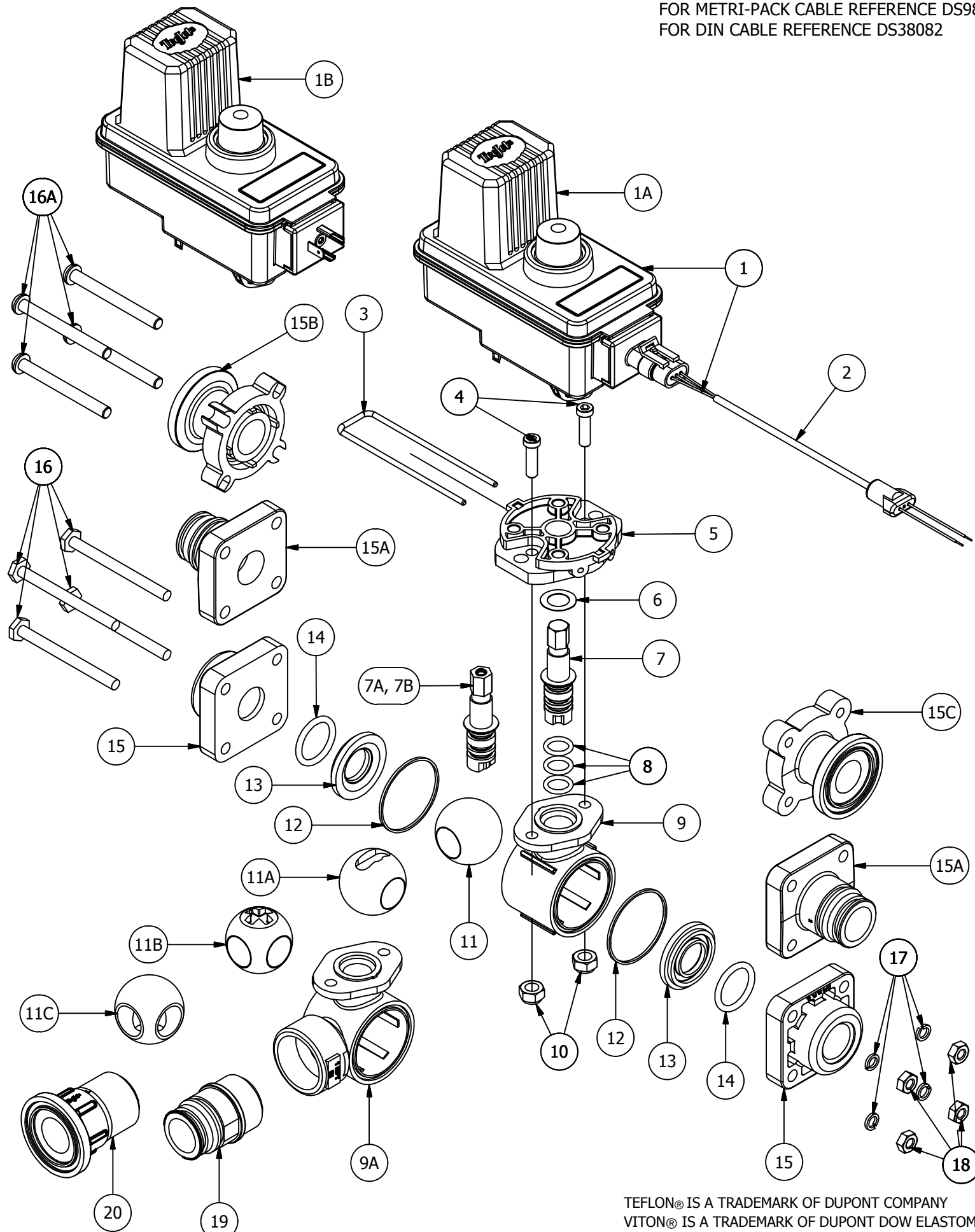


FOR METRI-PACK CABLE REFERENCE DS98546;  
FOR DIN CABLE REFERENCE DS38082



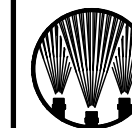
ITEM	PART NUMBER	DESCRIPTION
# 1	50516-01C	REGULATING MOTOR, 1-RPM (18-SEC), 2-WIRE METRI-PACK CABLE
	50516-03C	REGULATING MOTOR, 3-RPM (6-SEC), 2-WIRE METRI-PACK CABLE
	50516-06C	REGULATING MOTOR, 6-RPM (3-SEC), 2-WIRE METRI-PACK CABLE
# 1A	50516-01	REGULATING MOTOR, 1-RPM (18-SEC), W/O CABLE
	50516-03	REGULATING MOTOR, 3-RPM (6-SEC), W/O CABLE
	50516-06	REGULATING MOTOR, 6-RPM (3-SEC), W/O CABLE
# 1B	50516-01D	REGULATING MOTOR, 1-RPM (18-SEC), DIN CONNECTION
	50516-03D	REGULATING MOTOR, 3-RPM (6-SEC), DIN CONNECTION
	50516-06D	REGULATING MOTOR, 6-RPM (3-SEC), DIN CONNECTION
2	98546R-	2-WIRE CABLE W/ METRI-PACK TOWER CONNECTION
3	CP50517-SSPV	RETAINING CLIP, 304 STAINLESS STEEL
4	CP26197-7/8-SS	SOCKET HEAD CAP SCREW, STAINLESS STEEL (2 REQ'D)
5	CP50514-PP	MOTOR ADAPTER, POLYPROPYLENE (BLACK)
* 6	CP20125-TEF	THRUST WASHER, TEFLON
7	CP56613-SS	STEM, 303 STAINLESS STEEL (FOR POLYPROPYLENE BALL)
7A	CP56615-SS	STEM, 303 STAINLESS STEEL (FOR 2-WAY STAINLESS STEEL BALL)
7B	CP56725-SS	STEM, 303 STAINLESS STEEL (FOR 3-WAY STAINLESS STEEL BALL)
* 8	CP7717-M12X2.5-VI	O-RING, VITON (3 REQ'D)
9	CP20101-NYB	BODY, NYLON (BLACK) (2-WAY)
9A	CP20102-3/4-NYB	BODY, NYLON (BLACK) (3-WAY, 3/4" NPT THREAD)
	CPB20102-3/4-NYB	BODY, NYLON (BLACK) (3-WAY, 3/4" BSPT THREAD)
	CP20102-1-NYB	BODY, NYLON (BLACK) (3-WAY, 1" NPT THREAD)
	CPB20102-1-NYB	BODY, NYLON (BLACK) (3-WAY, 1" BSPT THREAD)
10	CP38435-1/4-SSNY	ELASTIC LOCKNUT, STAINLESS STEEL (2 REQ'D)
11	CP20106-1-PP	BALL, POLYPROPYLENE (WHITE) (2-WAY)
11A	CP19926-SS	BALL, STAINLESS STEEL (2-WAY)
11B	CP20109-1-PP	BALL, POLYPROPYLENE (WHITE) (3-WAY)
11C	CP45510-1-SS	BALL, STAINLESS STEEL (3-WAY)
* 12	CP20564-VI	GASKET, VITON (2 REQ'D)
* 13	CP20103-TEF	SEAL, TEFLON (2 REQ'D)
* 14	CP7717-2/213-VI	O-RING, VITON (2 REQ'D)
15	CP20104-3/4-NYB	END CAP, NYLON (BLACK) (3/4" NPT THREAD) (2 REQ'D)
	CPB20104-3/4-NYB	END CAP, NYLON (BLACK) (3/4" BSPT THREAD) (2 REQ'D)
	CP20104-1-NYB	END CAP, NYLON (BLACK) (1" NPT THREAD) (2 REQ'D)
	CPB20104-1-NYB	END CAP, NYLON (BLACK) (1" BSPT THREAD) (2 REQ'D)
15A	CP45514-NYB	END CAP, NYLON (BLACK) (QUICK CONNECT) (2 REQ'D)
15B	CP45253-NYB	END CAP, NYLON (BLACK) (FLANGE) (1 REQ'D)
15C	CP48265-NYB	END CAP, NYLON (BLACK) (FLANGE) (1 REQ'D)
16	CP20129-SS	BOLT, 1/4"-20 X 3" HEX, STAINLESS STEEL (4 REQ'D)
16A	CP45252-2-3/4-SSPV	SCREW, PAN HEAD, STAINLESS STEEL (4 REQ'D) (FLANGE VERSION)
17	CP20128-SS	LOCK WASHER, 1/4", STAINLESS STEEL (4 REQ'D)
18	CP8535-SS	NUT, 1/4"-20 HEX, STAINLESS STEEL (4 REQ'D)
19	CP45526-NYB	1" THREADED QUICK CONNECT ADAPTER, NYLON (BLACK)
20	CP48155-PP	#50 FLANGE X 1" MALE NPT FITTING, POLYPROPYLENE (BLACK)

AB344AE-KIT, SPARE PARTS KIT (INCLUDES ALL ITEMS MARKED WITH \*)

NOTE: (B) IN PART NUMBER INDICATES B.S.P.T. INLET AND OUTLET CONNECTIONS  
#NOTE: FOR METRI-PACK CABLE MOTORS SPECIFY CABLE LENGTH IN PART NUMBER-  
03 (0.3-METER), 05 (0.5-METER), 15 (1.5-METER) OR 60 (6.0-METER).

**DESCRIPTION:**

344BR DIRECTOVALVE®  
ELECTRIC REGULATING BALL  
VALVES 2-WAY & 3-WAY



**Spraying Systems Co.®**  
Spray Nozzles and Accessories  
P.O. Box 7900 - Wheaton, IL 60189-7900

REVISION NO.	3	PARTS LIST <b>PL344BR</b>
REFERENCE:	4/1/2015	
SHEET:		DWG SIZE: <b>B</b>

TEFLON® IS A TRADEMARK OF DUPONT COMPANY  
VITON® IS A TRADEMARK OF DUPONT DOW ELASTOMERS