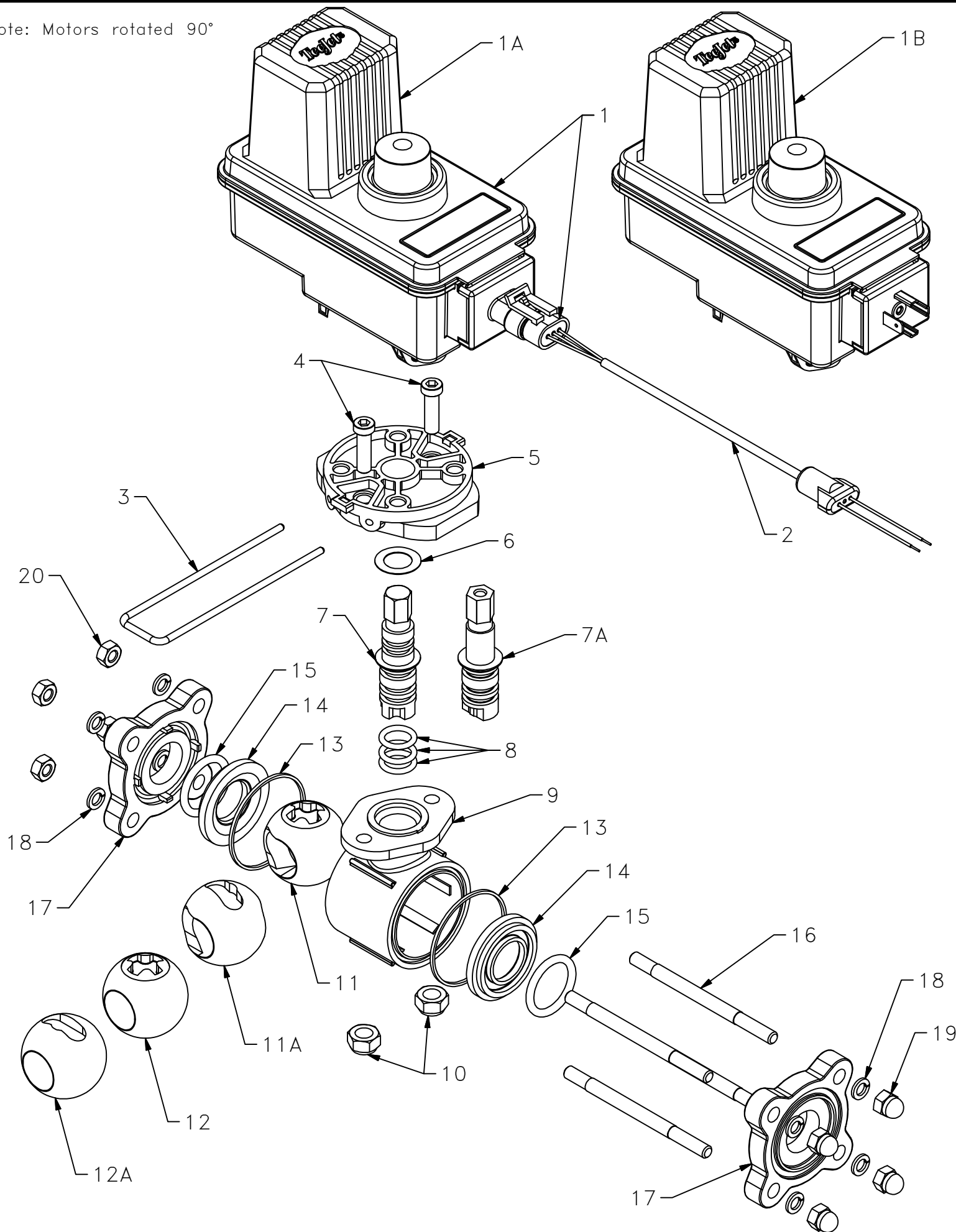


Note: Motors rotated 90°



ITEM	PART NO.	DESCRIPTION
1	50516-01C__	REGULATING MOTOR, 1-RPM (18-SEC), 2-WIRE METRI-PACK CABLE
	50516-03C__	REGULATING MOTOR, 3-RPM (6-SEC), 2-WIRE METRI-PACK CABLE
	50516-06C__	REGULATING MOTOR, 6-RPM (3-SEC), 2-WIRE METRI-PACK CABLE
1A	50516-01	REGULATING MOTOR, 1-RPM (18-SEC), W/O CABLE
	50516-03	REGULATING MOTOR, 3-RPM (6-SEC), W/O CABLE
	50516-06	REGULATING MOTOR, 6-RPM (3-SEC), W/O CABLE
1B	50516-01D	REGULATING MOTOR, 1-RPM (18-SEC), DIN CONNECTOR
	50516-03D	REGULATING MOTOR, 3-RPM (6-SEC), DIN CONNECTOR
	50516-06D	REGULATING MOTOR, 6-RPM (3-SEC), DIN CONNECTOR
2	98546R-__	2-WIRE CABLE W/ METRI-PACK TOWER CONNECTION
3	CP50517-SSPV	RETAINING CLIP, 304 STAINLESS STEEL
4	CP26197-7/8-SS	SOCKET HEAD CAP SCREW, STAINLESS STEEL (2 REQ'D)
5	CP63581-PP	MOTOR ADAPTER, POLYPROPYLENE (BLACK)
6*	CP20125-TEF	THRUST WASHER, TEFLON®
7	CP56613-SS	STEM, 303 STAINLESS STEEL (FOR POLYPROPYLENE BALL)
7A	CP56615-SS	STEM, 303 STAINLESS STEEL (FOR 2-WAY STAINLESS STEEL BALL)
8*	CP7717-M12X2.5-VI	O-RING, VITON® (3 REQ'D)
9	CP20101-NYB	BODY, NYLON (BLACK)
10	CP38435-1/4-SSNY	ELASTIC LOCKNUT, STAINLESS STEEL (2 REQ'D)
11	CP22259-2-PP	RL BALL, POLYPROPYLENE (WHITE) (RL VALVE)
11A	CP38441-1-SS	RL BALL, 303 STAINLESS STEEL (RL VALVE)
12	CP20106-1-PP	R BALL, POLYPROPYLENE (WHITE) (2-WAY)
12A	CP19926-SS	R BALL, 303 STAINLESS STEEL (2-WAY)
13*	CP20564-VI	GASKET, VITON (2 REQ'D)
14*	CP20103-TEF	SEAL, TEFLON (2 REQ'D)
15*	CP7717-2/213-VI	O-RING, VITON (2 REQ'D)
16	CP98509-SS	THREADED CONNECTING ROD, 303 STAINLESS STEEL (4 REQ'D)
17	CP98506-PP	BOLTED FLANGE END CAP, POLYPROPYLENE (BLACK) (2 W/ ORDER)
18	CP45520-302SS	M6 METRIC LOCK WASHER, STAINLESS STEEL (8 REQ'D)
19	CP98508-SS	M6X1 METRIC ACORN NUT, 303 STAINLESS STEEL (4 REQ'D)
20	CP55212-SS	M6X1 METRIC HEX NUT, STAINLESS STEEL (4 REQ'D)

AB344AE-KIT, SPARE PARTS KIT (INCLUDES ALL ITEMS MARKED WITH *)

NOTE: (B) IN PART NUMBER INDICATES B.S.P.T. INLET AND OUTLET CONNECTIONS

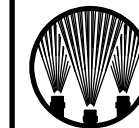
-- NOTE: FOR METRI-PACK CABLE MOTORS (ITEM 1) SPECIFY CABLE LENGTH IN PART NUMBER - 03 (0.3-METER), 05 (0.5-METER), 15 (1.5-METER) OR 60 (6.0-METER)

FOR METRI-PACK CABLE REFERENCE DS98546; FOR DIN CABLE REFERENCE DS38082

TEFLON® IS A TRADEMARK OF DUPONT COMPANY
VITON® IS A TRADEMARK OF DUPONT DOW ELASTOMERS

DESCRIPTION:

344BR&RL-TH
430 MANIFOLD ACCESSORY
REGULATING BALL VALVE
THROTTLING MODE



Spraying Systems Co.®
Spray Nozzles and Accessories
P.O. Box 7900 - Wheaton, IL 60187-7901

REVISION NO.	2	PARTS LIST	
REFERENCE:	4/7/2015	PL344BR&RL-TH	
SHEET:	1 OF 1	DWG SIZE:	B