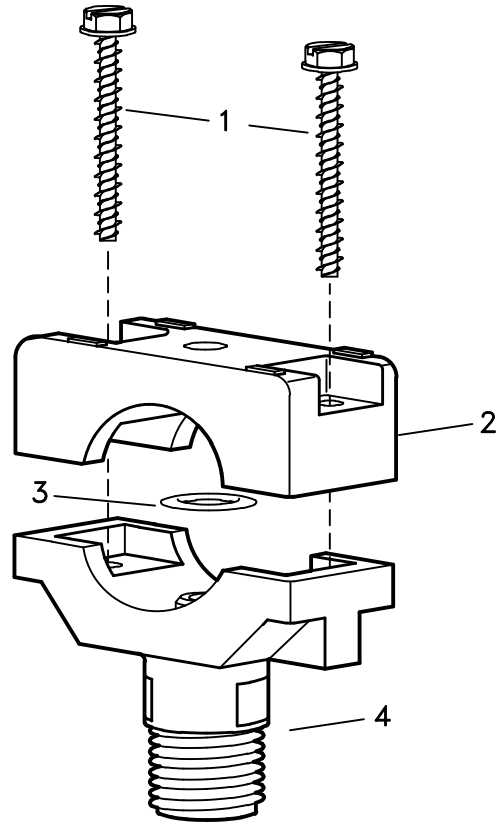


(SEE NOTE)
5 _____



NOTE: ITEM NO. 5 IS A SPECIAL SEAL
DESIGNED FOR USE ON HEADERS WHICH
ALREADY HAVE 7/16" DIA. DRILLED HOLES
OR - 1/4" NPT (F) TAPPED HOLES. WHEN
USED, IT REPLACES ITEM NO. 3.

| ITEM | PART NO. | DESCRIPTION |
|---|------------------|--|
| 1 | CP20123-1-1/4-SS | Screw, Stainless Steel (2 Req'd) |
| 2 | CP24226-NYB | Upper Clamp, Nylon (Black) For #25775-1/2T-NYB |
| | CP24222-NYB | Upper Clamp, Nylon (Black) For #25775-3/4T-NYB |
| 3 | CP7717-2/110-BU | O'Ring, Buna-N (Standard) |
| | CP7717-2/110-VI | O'Ring, Viton (Optional) |
| 4 | CP25776-NYB | Body, Nylon (Black) For #25775-1/2T-NYB |
| | CP25777-NYB | Body, Nylon (Black) For #25775-3/4T-NYB |
| 5 | CP18294-EPR | Seal, EPDM Rubber (Optional) |
| | CP18294-VI | Seal, Viton (Optional) |
| No. 25775-1/2T-NYB Split-Eyelet UniJet Nozzle Body Assembly | | |
| No. 25775-3/4T-NYB Split-Eyelet UniJet Nozzle Body Assembly | | |

DESCRIPTION:

NO. 25775-1/2T-NYB AND
NO. 25775-3/4T-NYB
SPLIT-EYELET UNIJET
NOZZLE BODY ASSEMBLIES



Spraying Systems Co.[®]

Spray Nozzles and Accessories
P.O. Box 7900 - Wheaton, Il. 60187-7900

Rev. No.

Ref.

Parts List No.

PL 25775

SHEET OF