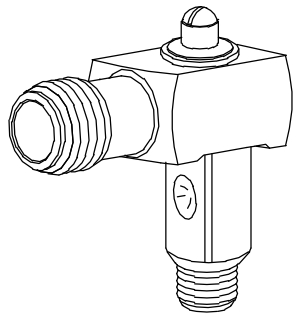
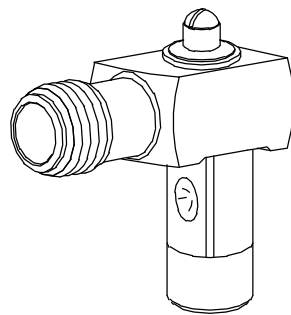


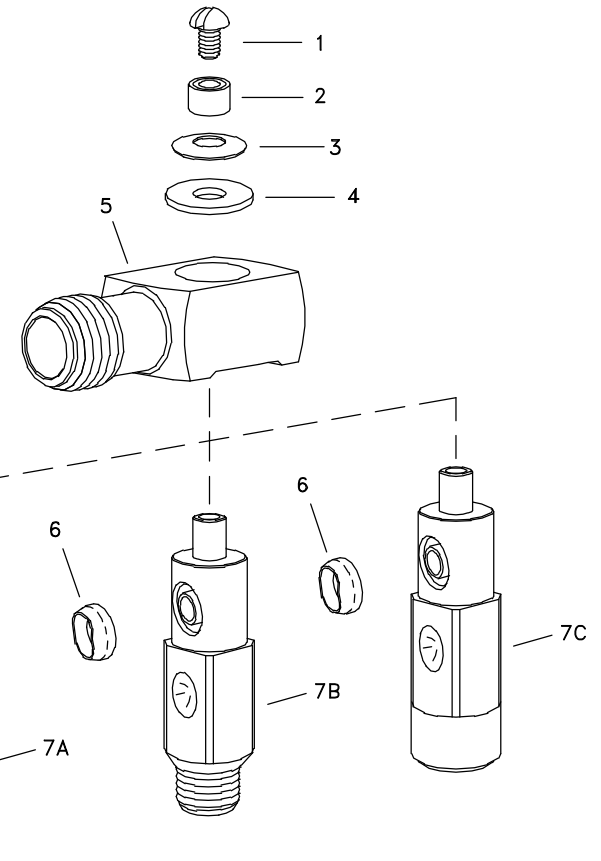
**No. 23831**



**No. 23831-1/4M**  
**No. B23831-1/4M**



**No. 23831-1/4F**  
**No. B23831-1/4F**



ITEM	PART NO.	DESCRIPTION
1	CP14933-SS	SCREW, STAINLESS STEEL
2	CP26487-SS	SPACER, STAINLESS STEEL
3	CP26486-SS	SPRING WASHER, STAINLESS STEEL
4	CP23803-304SS	WASHER, TYPE 304 STAINLESS STEEL
5	CP23835	SINGLE OUTLET CYLINDER BODY, BRASS
6	CP23837-EPR	SEAL, EPDM RUBBER
7A	CP26482	INLET CYLINDER & CAP SUB-ASSEMBLY, BRASS (FOR No. 23831)
7B	CP26484-1/4M	INLET CYLINDER, BRASS (FOR No. 23831-1/4M)
	CPB26484-1/4M	INLET CYLINDER, BRASS (FOR No. B23831-1/4M)
7C	CP26485-1/4F	INLET CYLINDER, BRASS (FOR No. 23831-1/4F)
	CPB26485-1/4F	INLET CYLINDER, BRASS (FOR No. B23831-1/4F)
No. 23831 SINGLE ROLLOVER VALVE WITH 11/16"-16 (F) INLET CONNECTION		
No. 23831-1/4M SINGLE ROLLOVER VALVE WITH 1/4" NPT (M) INLET CONNECTION		
No. B23831-1/4M SINGLE ROLLOVER VALVE WITH 1/4" BSPT (M) INLET CONNECTION		
No. 23831-1/4F SINGLE ROLLOVER VALVE WITH 1/4" NPT (F) INLET CONNECTION		
No. B23831-1/4F SINGLE ROLLOVER VALVE WITH 1/4" BSPT (F) INLET CONNECTION		

**DESCRIPTION:**  
**NO. 23831--**  
**SINGLE ROLLOVER**  
**VALVE**



**Spraying Systems Co.®**

Spray Nozzles and Accessories  
P.O. Box 7900 - Wheaton, IL 60189-7900

Rev. No.

Parts List No.

Ref.

**PL 23831**  
SHEET OF