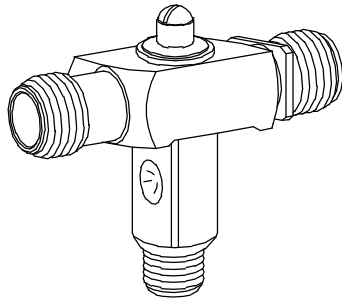
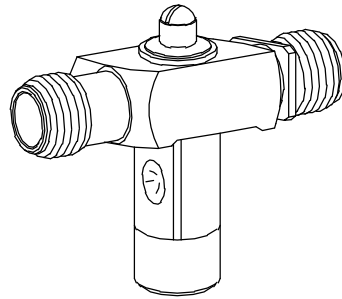


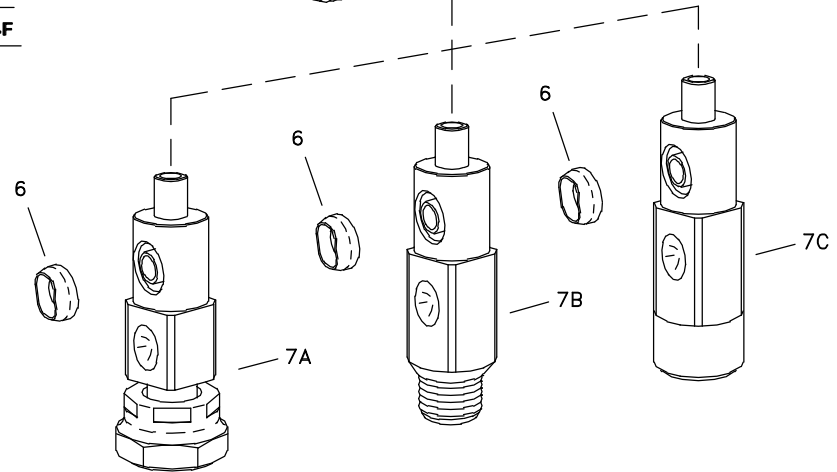
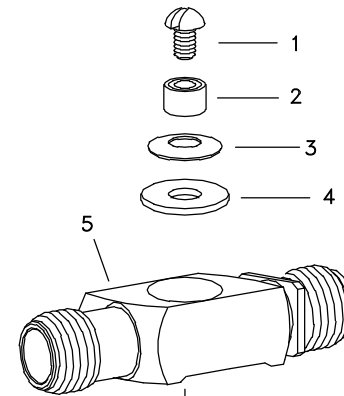
No. 23830



No. 23830-1/4M  
No. B23830-1/4M



No. 23830-1/4F  
No. B23830-1/4F



ITEM	PART NO.	DESCRIPTION
1	CP14933-SS	SCREW, STAINLESS STEEL
2	CP26487-SS	SPACER, STAINLESS STEEL
3	CP26486-SS	SPRING WASHER, STAINLESS STEEL
4	CP23803-304SS	WASHER, TYPE 304 STAINLESS STEEL
5	CP23834	DOUBLE OUTLET CYLINDER BODY, BRASS
6	CP23837-EPR	SEAL, EPDM RUBBER
7A	CP26482	INLET CYLINDER & CAP SUB-ASSEMBLY, BRASS (FOR No. 23830)
7B	CP26484-1/4M	INLET CYLINDER, BRASS (FOR No. 23830-1/4M)
	CPB26484-1/4M	INLET CYLINDER, BRASS (FOR No. B23830-1/4M)
7C	CP26485-1/4F	INLET CYLINDER, BRASS (FOR No. 23830-1/4F)
	CPB26485-1/4F	INLET CYLINDER, BRASS (FOR No. B23830-1/4F)

No. 23830 DOUBLE ROLLOVER VALVE WITH 11/16"-16 (F) INLET CONNECTION  
 No. 23830-1/4M DOUBLE ROLLOVER VALVE WITH 1/4" NPT (M) INLET CONNECTION  
 No. B23830-1/4M DOUBLE ROLLOVER VALVE WITH 1/4" BSPT (M) INLET CONNECTION  
 No. 23830-1/4F DOUBLE ROLLOVER VALVE WITH 1/4" NPT (F) INLET CONNECTION  
 No. B23830-1/4F DOUBLE ROLLOVER VALVE WITH 1/4" BSPT (F) INLET CONNECTION

DESCRIPTION:  
 NO. 23830 -  
 DOUBLE ROLLOVER  
 VALVE



**Spraying Systems Co.**  
 Spray Nozzles and Accessories  
 P.O. Box 7900 - Wheaton, IL 60189-7900

Rev. No.

Parts List No.

Ref.

PL 23830  
 SHEET OF