

ITEM	PART NO.	DESCRIPTION	
1	CP45632	Coil Assembly, Nylon Encapsulated (Black) & Aluminum	
2	CP15164-NYB	Upper Diaphragm Housing, Nylon, Glass Filled (Black)	
3	CP45634-430FRS	Armature, Type 430FR Stainless Steel	
*	4	CP45637-302SS	Spring, Type 302 Stainless Steel
*	5	CP14813-2-SS	Retaining Ring, Stainless Steel
*	6	CP36101-VI	Diaphragm, Viton (2 Req'd)
	7	CP14807-SS	Seat Washer Retainer, Stainless Steel
*	8	CP14802-VI	Seat Washer, Viton
	9	CP14811-SS	Spacer, Stainless Steel
10	CP14801-PP	Body, Polypropylene (Black) NPT connections	
	CPB14801-PP	Body, Polypropylene (Black) NPT inlets and BSPT outlet	
	11	CP14812-SS	Stem, Stainless Steel
	12	CP14806-SS	Washer, Stainless Steel
	13	CP15162-SS	Lower Diaphragm Piston, Stainless Steel
	14	CP15165-NYB	Lower Diaphragm Housing, Glass Filled Nylon (Black)
	15	CP14819-SS	Screw, Stainless Steel (4 Req'd)
	16	CP21737-NYB	Connecting Nipple, Nylon (Black) Use only For Multiple Units

No. AA144P-1, One Unit DirectoValve (NPT Connections)

No. AAB144P-1, One Unit DirectoValve (BSPT Outlet)

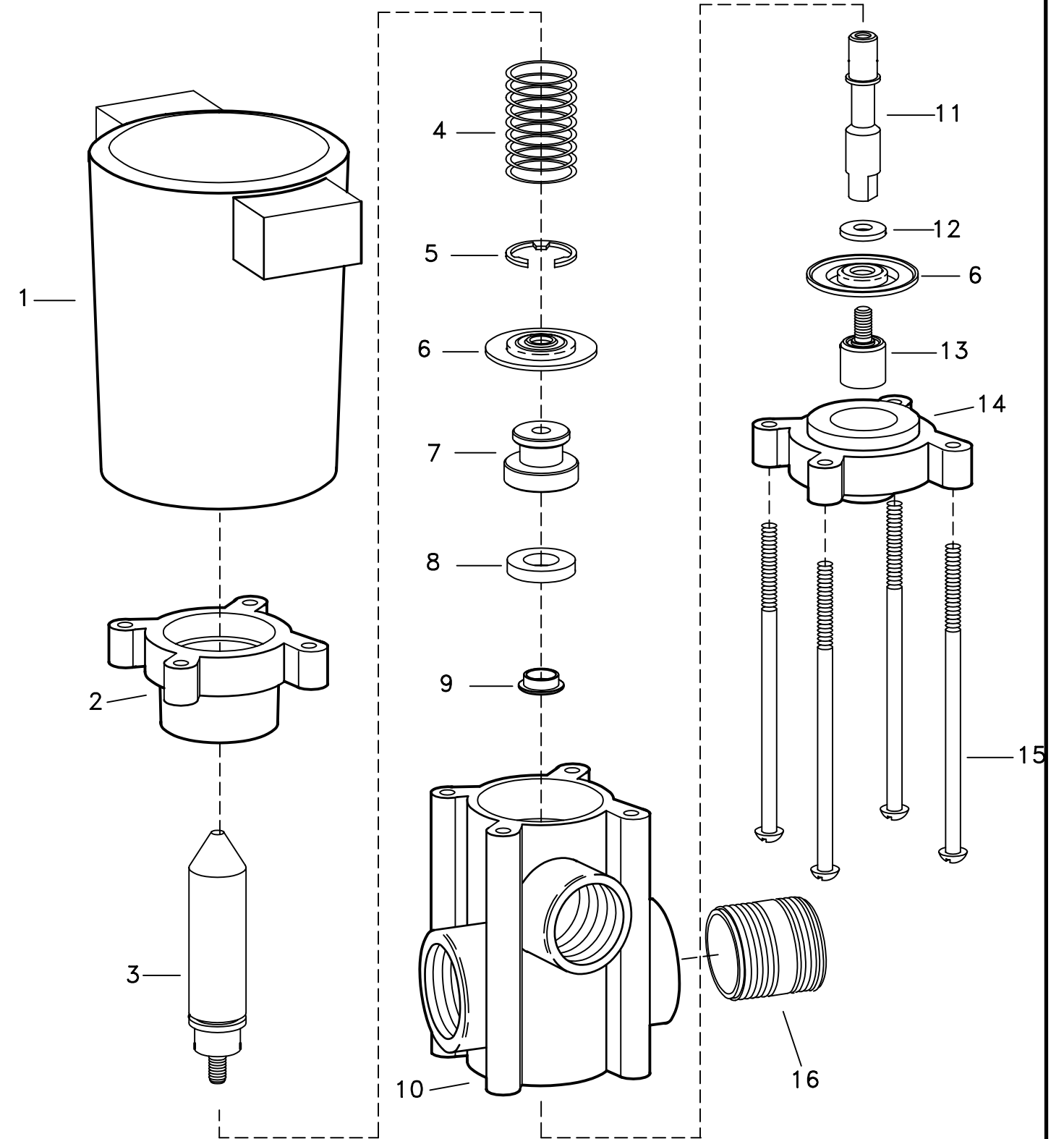
No. AA144P-2, Two Unit DirectoValve (NPT Connections)

No. AAB144P-2, Two Unit DirectoValve (BSPT Outlet)

No. AA144P-3, Three Unit DirectoValve (NPT Connections)

No. AAB144P-3, Three Unit DirectoValve (BSPT Outlet)

PK-AB144P-1-KIT - Spare Parts Kit (Includes One Set of Items Marked With *)



DESCRIPTION:
AA(B)144P-1 SOLENOID OPERATED
DIRECTOVALVE®



Spraying Systems Co.®

Spray Nozzles and Accessories
P.O. Box 7900 - Wheaton, IL 60189-7900

Rev. No. 4

Ref.

Parts List No.

PL 144P

SHEET OF