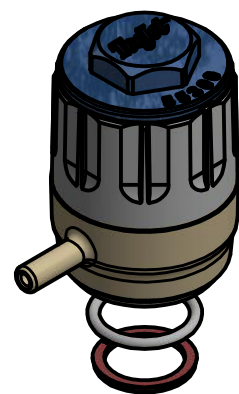
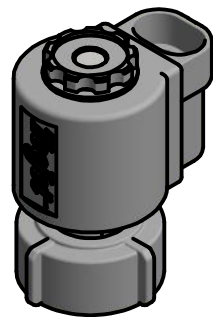


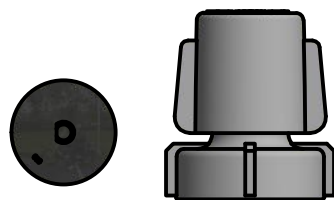
ITEM	PART NO.	DESCRIPTION	
1	CP98523-SS	PAN HEAD SCREW, STAINLESS STEEL	
2A-2E	SEE TABLE BELOW	SEE TABLE BELOW	
3A	114466-20mm-NYB	20mm BOTTOM MOUNT SUB-ASSY., NYLON (BLACK)	
3B	114466-1/2-NYB	1/2" BOTTOM MOUNT SUB-ASSY., NYLON (BLACK)	
3C	114466-3/4-NYB	3/4" BOTTOM MOUNT SUB-ASSY., NYLON (BLACK)	
3D	114466-1-NYB	1" BOTTOM MOUNT SUB-ASSY., NYLON (BLACK)	
3E	114466-25mm-NYB	25mm BOTTOM MOUNT SUB-ASSY., NYLON (BLACK)	
4	CP7717-2/110-VI	O-RING, VITON®	
5	CP98522-SS	M6 X 1mm METRIC HEX NUT, STAINLESS STEEL	
6	CP48256-SS	PIVOT PIN, STAINLESS STEEL	
7	CP7717-2/116-VI	O-RING, VITON®	
8	CP58457-304SS	BYPASS RETAINING CLIP, STAINLESS STEEL	
9	58573-NYB	MIDDLE BODY SUB-ASSY., NYLON (BLACK) (2 OUTLET VERSION)	
9A	98519-NYB	TEE BODY SUB-ASSY., NYLON (BLACK) (3 & 4 OUTLET VERSION)	
10	58573-1-NYB	MIDDLE BODY SUB-ASSY., NYLON (BLACK) (4 OUTLET VERSION)	
11	58566-NYB	END BODY SUB-ASSY., NYLON (BLACK) (1 & 2 OUTLET VERSION)	
11A	58566-1-NYB	END BODY SUB-ASSY., NYLON (BLACK) (3 & 4 OUTLET VERSION)	
ITEM	PART NO. 8MM HEX	PART NO. 6MM HEX	DESCRIPTION
2A	CP58588-NYB	CP114429-NYB	20mm UPPER CLAMP, NYLON (BLACK)
2B	CP58588-2-NYB	CP114429-2-NYB	1/2" UPPER CLAMP, NYLON (BLACK)
2C	CP58588-3-NYB	CP114429-3-NYB	3/4" UPPER CLAMP, NYLON (BLACK)
2D	CP58588-4-NYB	CP114429-4-NYB	1" UPPER CLAMP, NYLON (BLACK)
2E	CP58588-5-NYB	CP114429-5-NYB	25mm UPPER CLAMP, NYLON (BLACK)

**CHEMSAVER® CHECK VALVE OPTIONS**

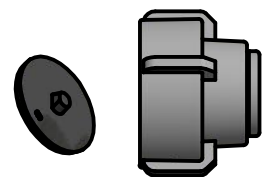


55295-4-12 E-CHEMSAVER®  
 55295-4-24 E-CHEMSAVER®  
 CP58589-VI GASKET, VITON®

55300-1 QJS AIR CHEMSAVER®  
 CP58589-VI GASKET, VITON®  
 CP7717-2/116-VI O-RING, VITON®

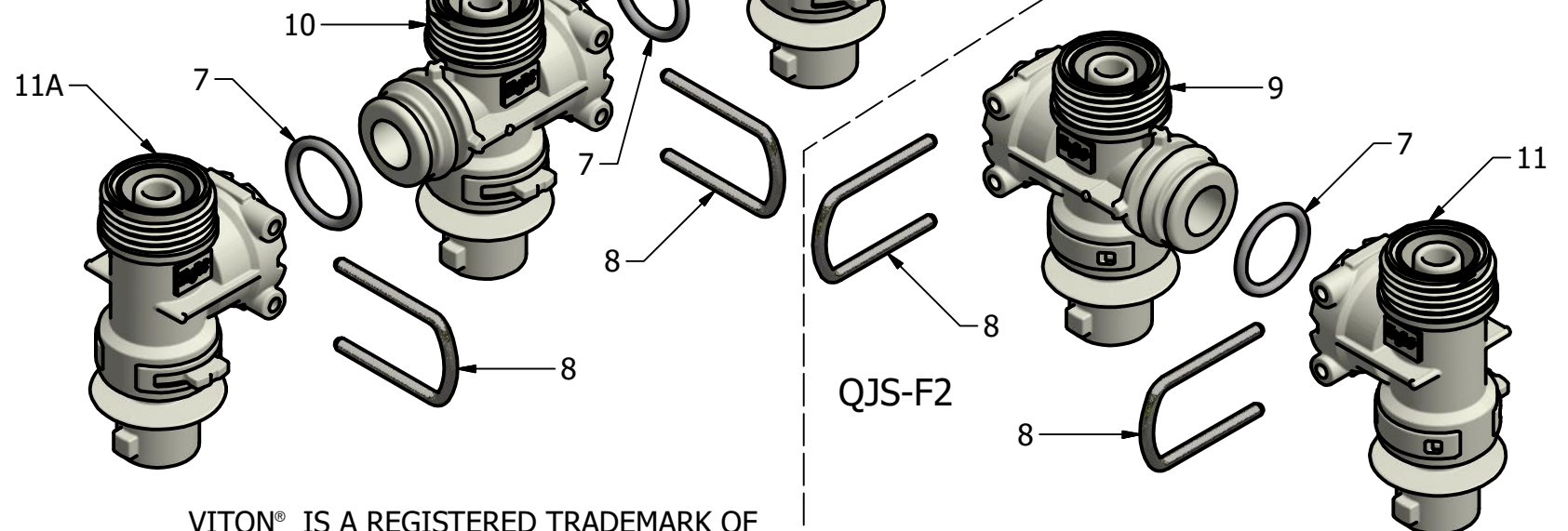


58140-NYB MANUAL SHUTOFF  
 CP56709-VI DIAPHRAGM



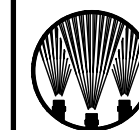
58577 END CAP SUBASSEMBLY  
 CP56709-VI DIAPHRAGM

**QJS-F4L**



VITON® IS A REGISTERED TRADEMARK OF DUPONT PERFORMANCE ELASTOMERS, INC.

**DESCRIPTION:**  
 QJS-F STACKABLE QUICK TEEJET®  
 BOTTOM INLET STANDARD  
 MOUNT W/ FLOW METER  
 NOZZLE BODY



**Spraying Systems Co.®**  
 Spray Nozzles and Accessories  
 P.O. Box 7900 - Wheaton, IL 60189-7900

REVISION NO.	2	PARTS LIST	
REFERENCE:	4/9/18	PLQJS-F	
SHEET:	1 OF 1	DWG SIZE: B	