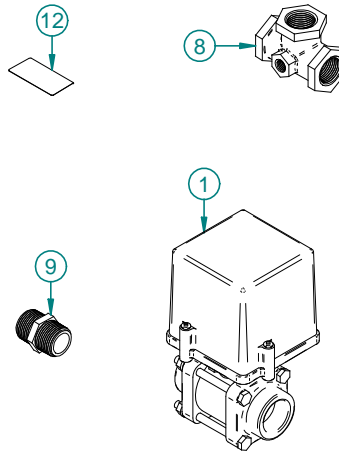


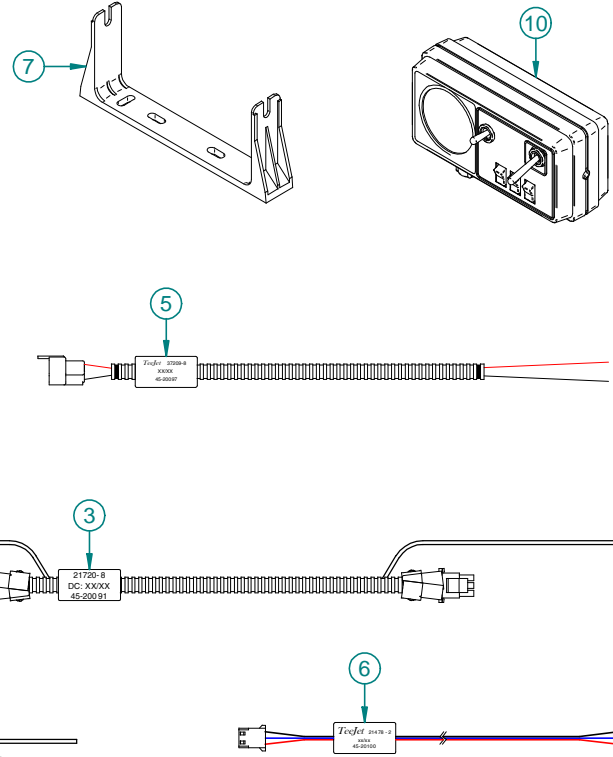
A

Item	Description	Part Number	QTY	U.M.
1	21776-344AE-2PR-3/4 VALVE, REG., BALL	35-50031	1	EA
2	21725-8 CABLE, END, 8'	45-20090	1	EA
3	21720-8 CABLE, EXTENSION, 8'	45-20091	1	EA
4	37208-12 CABLE, END, BATTERY	45-20096	1	EA
5	37209-8 CABLE, END VALVE	45-20097	1	EA
6	21478-2 CABLE, POWER, 744	45-20100	1	EA
7	CP36990-NYB BRACKET, MOUNTING	64-50023	1	EA
8	CP21476-NYB FITTING, TEE w/GAUGE	67-20004	1	EA
9	CP21737-NYB NIPPLE, 3/4" CLOSE, NYLON	67-20005	1	EA
10	37203-300L-3 HOUSING, CTRL, 300L-3	75-50035	1	EA
11	BOX, 14 X 10 X 8	80-01017	1	EA
12	LABEL, CONSOLE/FLAG	84-01017	1	EA
13	37225-COMMAT KIT, ACCESSORY BAG	90-50141	1	EA
14	MI 744A MANUAL, MAINT. INSTRUCT	98-70025	1	EA

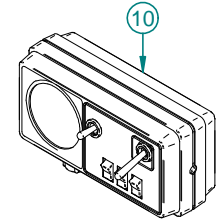
B



C



D

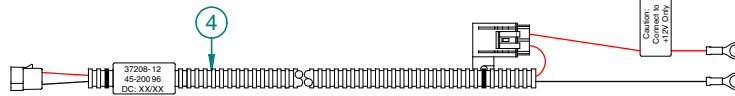
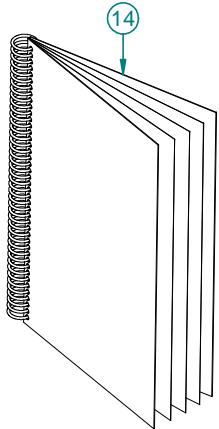
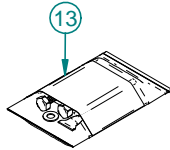


1

2

3

4



Note: 1.0 Packaging materials, some labels, bulletins and manuals are not shown pictorially.

MATERIAL:		n/a			
FINISH:		n/a		TITLE: Kit, 744, 3-Boom 300 PSI w/344-2PR 3/4 Reg. Val.	
PROJECTION:		SCALE: UNITS: X INCH METRIC: 1:4		DRAWN BY: Bryan Reiser	
UNLESS OTHERWISE SPECIFIED TOLERANCE:		10-60" +/- .1"		CHECKED BY: Ryan Reiser	
0-.1" +/- .01"		60-120" +/- .2"		APPROVED BY: Ryan Reiser	
1-.5" +/- .25"		120" +/- .3"		SHEET No: 1 of 1	
5-10" +/- .5"		XX		DWG No: C-90-50171	
Midwest Technologies IL, LLC. Claims proprietary right in the material disclosed hereon. This document is not to be used in any way detrimental to the interest of Midwest Technologies IL, LLC.					