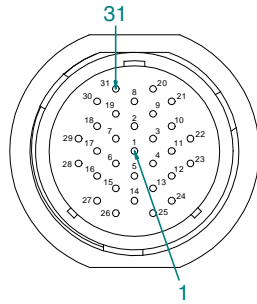


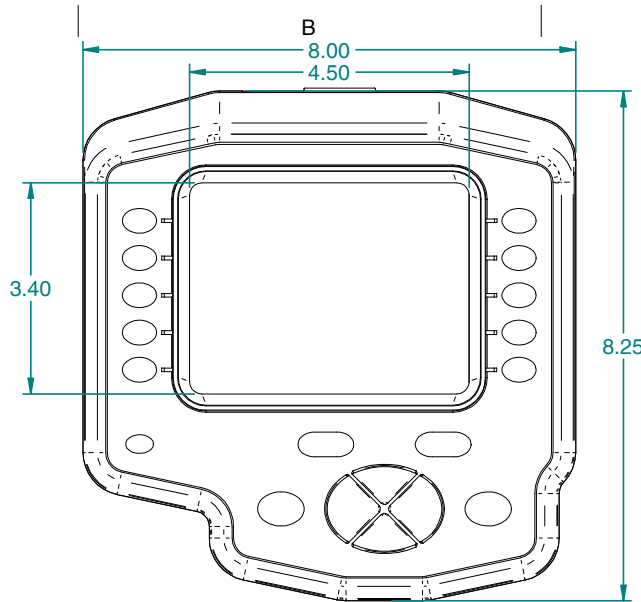
A



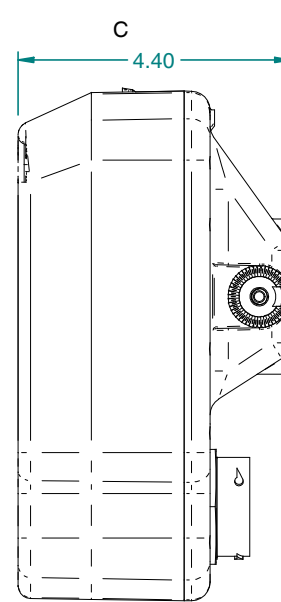
Deutsch  
31 Pos.

Pos.	Color	Function
1	Green	Com 2 Signal Ground
2	Red	Com 2 Receive Data
3	Orange	Com 2 Transmit Data
4	Orange	CAN High
5	Black	CAN Low
6	White	CAN Shield
7	Red	USB +5v
8	Green	Com 1 Signal Ground
9	Orange	Com 1 Transmit Data
10	Red	Com 1 Receive Data
11	White	Boom Out Select
12	Blue	Boom Data Out
13	Yellow	Boom Clock
14	Black	Boom Ground
15	Black	USB Shield
16	Red	Power +V
17	Green	CAN Ground
18	Red	CAN +V Out
19	White	USB Data
20	Purple	Com 2 Request to Send
21	Gray	Com 2 Clear to Send
22	Purple	Com 1 Request to Send
23	Gray	Com 1 Clear to Send
24	Green	Boom In Select
25	Orange	Boom Shift In
26	Black	Ext. SPKR (-)
27	White	Ext. SPKR (+)
28	Black	Power Ground
29	Red	Boom +12v Fil SW
30	Green	USB +Data
31	Black	USB Ground

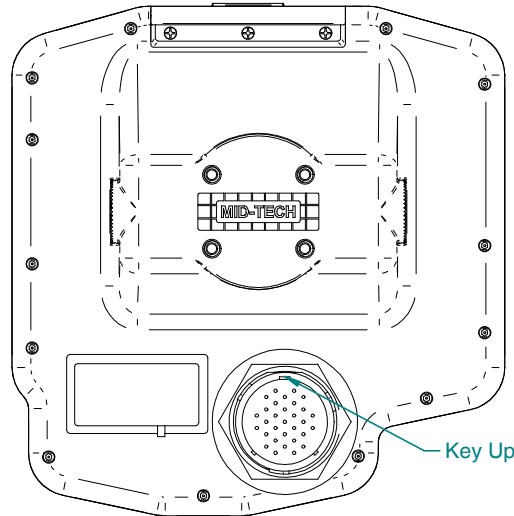
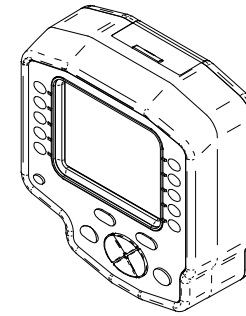
B



C



D



Note: 1.0 All dimensions are displayed in 'Inches' Unless otherwise specified.

MATERIAL: N/A					
FINISH: N/A			TITLE: Kit, L6k Color Can Version		
PROJECTION:		SCALE: 1:4	UNITS: X	DRAWN BY: Bryan Reiser	
UNLESS OTHERWISE SPECIFIED TOLERANCE:		1.5" +/- .05"	10-60" +/- .1"	CHECKED BY: Ryan Satorius	
R1	3/3/04	10351	3XX	APPROVED BY: Ryan Satorius	
R0	4/14/03	010195	120° +/- .3"	SHEET No: 1 of 1	DWG No: C-90-02200
REV.	DATE	NDC No	Midwest Technologies IL, LLC. Claims proprietary right in the material disclosed herein. This document is not to be used in any way detrimental to the interest of Midwest Technologies IL, LLC.		