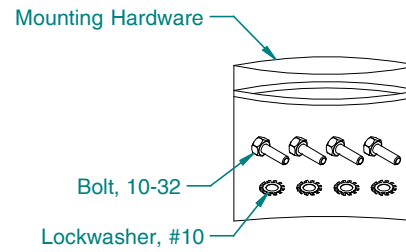
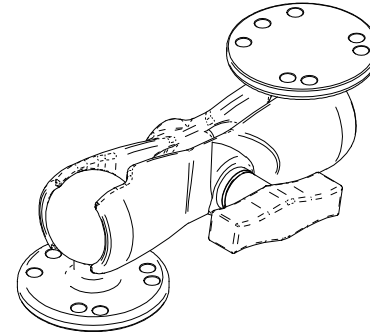
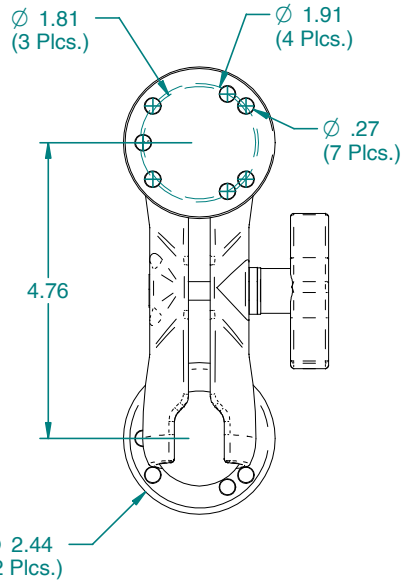


A



B

C

D



Note: 1.0 All Dimensions are displayed in "Inches" Unless otherwise specified.

MATERIAL:		n/a			
FINISH:		n/a			
PROJECTION:		SCALE: UNITS: X		TITLE:	
		1:2		Kit, Ram Mount, L6 K	
UNLESS OTHERWISE SPECIFIED TOLERANCE:		DRAWN BY: Bryan Reiser		CHECKED BY:	
0-1" +/- .1" 1-5" +/- .25" 5-10" +/- .5"		10-60" +/- 1" 60-120" +/- 2" 120" +/- 3"		APPROVED BY: SHEET No: 1 of 1 DWG No: C-90-02161	
REV.	DATE	NO.	DATE	Midwest Technologies IL, LLC. Claims proprietary right in the material disclosed herein. This document is not to be used in any way detrimental to the interest of Midwest Technologies IL, LLC.	