

A

B

C

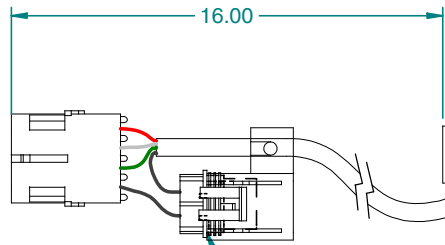
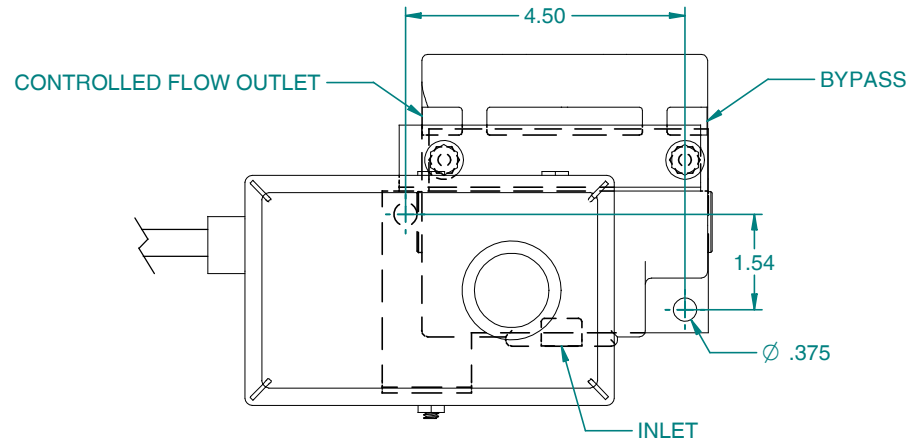
D

1

2

3

4



WeatherPak, 4 Pos.

Position	Color	Function
A	Black	(+12v)
B	Green	(+12v) to Close
C	White	(+12v) to Open
D	Red	n/a

FUSE, 5 AMP

POWERHEAD, 3 SEC.

HYDRAULIC FLOW CONTROL VALVE
16 - 30 GPM

Note: 1.0 All dimensions are displayed in "Inches" Unless otherwise specified.

MATERIAL:		N.A.		
FINISH:		N.A.		
PROJECTION:		SCALE:	UNITS:	DRAWN BY: <i>Rayon Reiser</i>
		1/1	INCH: X METRIC: X	
UNLESS OTHERWISE SPECIFIED TOLERANCE:				
0-1" +/- .1"	10-60" +/- .1"	XX	CHECKED BY: <i>Scott Kauder</i>	
1-5" +/- .25"	60-120" +/- .2"	XXX	APPROVED BY: <i>Scott Kauder</i>	
5-10" +/- .5"	120" +/- .3"	Z	SHEET No: 1 of 1	DWG No: C-879-2030
REV.	DATE	NOC No	Midwest Technologies IL, LLC. Claims proprietary right in the material disclosed herein. This document is not to be used in any way detrimental to the interest of Midwest Technologies IL, LLC.	