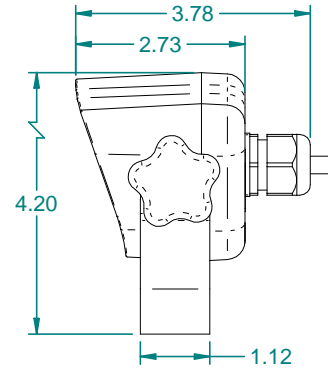
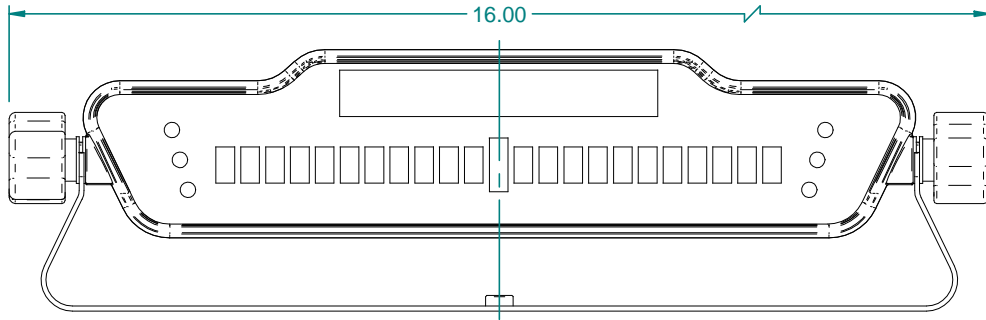


A

B

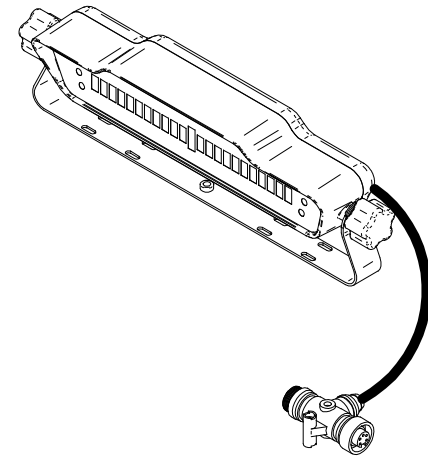
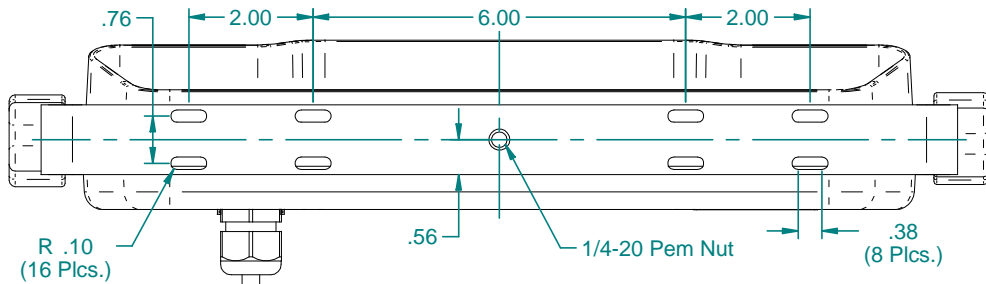
C

D



1

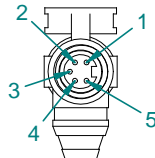
2



3



4

CAN "T"  
Male Side (Pins)  
Face View



CAN "T"  
5 Position

Position	Color	Function
1	White	CAN Shield
2	Red	CAN (+V) Out
3	Green	CAN Ground
4	Orange	CAN High
5	Black	CAN Low

MATERIAL: N/A					
FINISH: N/A					TITLE: Lightbar, w/CAN Connector
PROJECTION: 			SCALE: UNITS: X		
UNLESS OTHERWISE SPECIFIED TOLERANCE:			DRAWN BY: Bryan Reiser		
R2	5/3/04	10383	CHECKED BY: <i>Alex Haddock</i>		
R1	4/4/03	010191	APPROVED BY: <i>Bryan Reiser</i>		
FO	10/04/02	010149	SHEET No: DWG No:		
REV.	DATE	DOC. No.	1 of 1 C-78-50078		

Midwest Technologies IL, LLC. Claims proprietary right in the material disclosed herein. This document is not to be used in any way detrimental to the interest of Midwest Technologies IL, LLC.