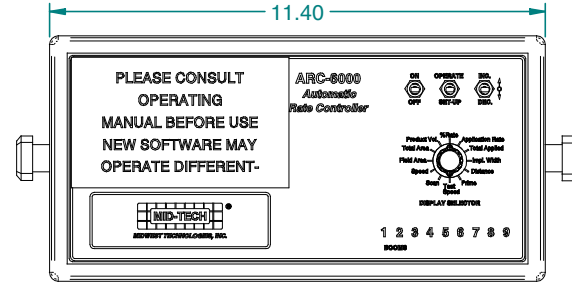
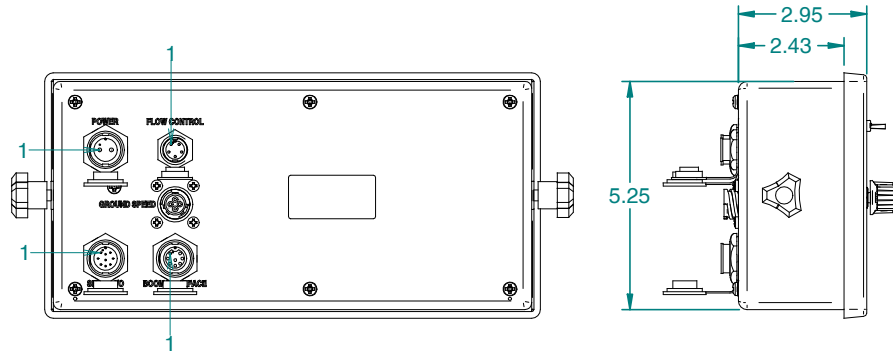


A

B

C

D



Power
Conxall, 2 Pos.

Position	Function
1	Ground
2	(+12V)

Flow Control
Conxall, 5 Pos.

Position	Function
1	Open
2	(+12v)Fil. SW
3	Ground
4	Close
5	Tach Sig.

Ground Speed
Amp, 4 Pos.

Pos.	Function
1	Ground
2	Signal
3	(+12v), Fil SW
4	Radar Sense

Serial I/O
Conxall, 9 Pos.

Position	Function
1	Master to Aux.
2	Print Reg.
3	Master to Printer
4	Aux. To Master
5	Printer Busy
6	Ground
7	(+12v) Fil, SW
8	Trasmit Enable
9	(+12v) SW

Boom Interface
Conxall, 8 Pos.

Position	Function
1	Ground
2	(+12v) Fil, SW
3	In Select
4	Data Out
5	Shift In
6	Out Select
7	Clock
8	Flash V In

Note: 1.0 All dimensions are displayed in "Inches", Unless otherwise specified.

MATERIAL:		n/a			
FINISH:		n/a		TITLE: Console Only ARC-6000 SFTWR 2.03	
PROJECTION:				SCALE: UNITS: X METRIC: n/a	
UNLESS OTHERWISE SPECIFIED TOLERANCE:		0-1" +/- .1" 10-60" +/- .1" 3XX 1-5" +/- .25" 60-120" +/- .2" XXX 5-10" +/- .5" 120" +/- .3" Z		DRAWN BY: <i>Rayon Reiser</i> CHECKED BY: <i>Ray Reiser</i> APPROVED BY: <i>Scott Kauder</i>	
RD	7/14/03	01100-1		SHEET No:	DWS No:
REV.	DATE	NO. No		1 of 1	C-75-01003
Midwest Technologies IL, LLC. Claims proprietary right in the material disclosed herein. This document is not to be used in any way detrimental to the interest of Midwest Technologies IL, LLC.					