

A

B

C

D

1

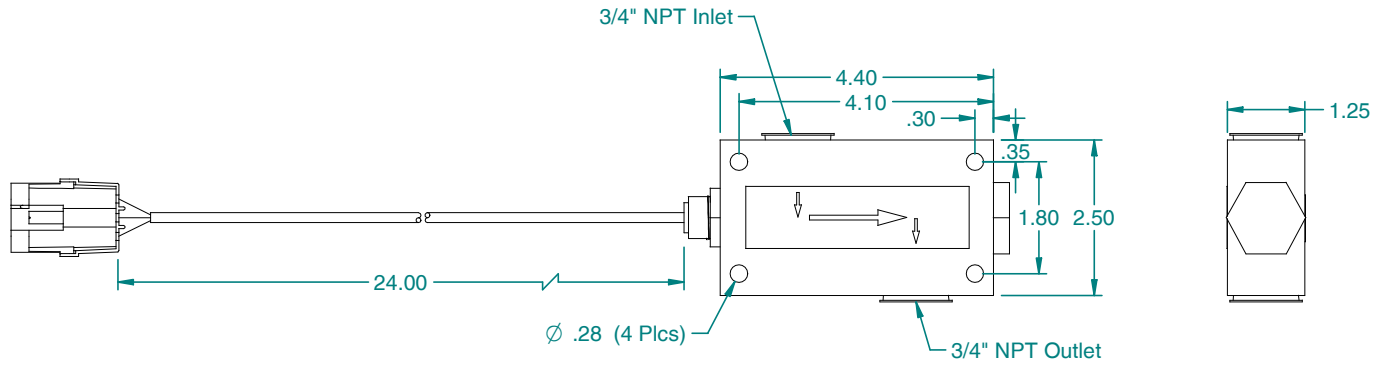
2

3

4


WeatherPack  
3 Pos

Position	Color	Function
A	Blue	Ground
B	Brown	+12v
C	Black	Signal



Notes:

- 1.0 All Dimensions Displayed in "Inches" Unless Otherwise Specified.
- 2.0 Material: Box: Black Delrin

MATERIAL:		See Notes												
FINISH:		N/A		TITLE: Sensor, Flow Assy. CAN CFM, .3-2 GPM										
PROJECTION:		SCALE: UNITS: X 1:2 INCH METRIC:		DRAWN BY: <i>Rayan Reiser</i>										
UNLESS OTHERWISE SPECIFIED TOLERANCE:		<table border="0"> <tr> <td>0-.1" ± .01"</td> <td>10-60" ± .1"</td> <td>XX</td> </tr> <tr> <td>1-5" ± .25"</td> <td>60-120" ± .2"</td> <td>XXX</td> </tr> <tr> <td>5-10" ± .5"</td> <td>120" ± .3"</td> <td>ZZ</td> </tr> </table>		0-.1" ± .01"	10-60" ± .1"	XX	1-5" ± .25"	60-120" ± .2"	XXX	5-10" ± .5"	120" ± .3"	ZZ	CHECKED BY: <i>Ray Reiser</i>	
0-.1" ± .01"	10-60" ± .1"	XX												
1-5" ± .25"	60-120" ± .2"	XXX												
5-10" ± .5"	120" ± .3"	ZZ												
REV. DATE		NO. No		APPROVED BY: <i>Scott Leuber</i>										
R0	3/3/03	010198		SHEET No:	DWG No:									
				1 of 1	C-57-00067									
Midwest Technologies IL, LLC. Claims proprietary right in the material disclosed herein. This document is not to be used in any way detrimental to the interest of Midwest Technologies IL, LLC.														