

Framatome 28 Pos. Plug

Pos.	Color	Function
A	n/a	
B	White	Boom 1
C	Brown	Boom 2
D	Green	Boom 3
E	Yellow	Boom 4
F	Gray	Boom 5
G	n/a	
H	n/a	
J	n/a	
K	n/a	
L	n/a	
M	n/a	
N	n/a	
P	n/a	
R	Wh/Red	Flow Signal
S	White	Pressure Signal
T	Wh/Grn	Speed Signal
U	n/a	
V	Brown	(+V) Out
W	n/a	
X	n/a	
Y	n/a	
Z	n/a	
a	White	Reg. Valve (+)
b	Brown	Reg. Valve (-)
c	Blue	Switched Input (+12v)
d	Green	Ground
e	Red	(+12v)

Deutsch 3 Pos DT Plug, Lock/Sockets

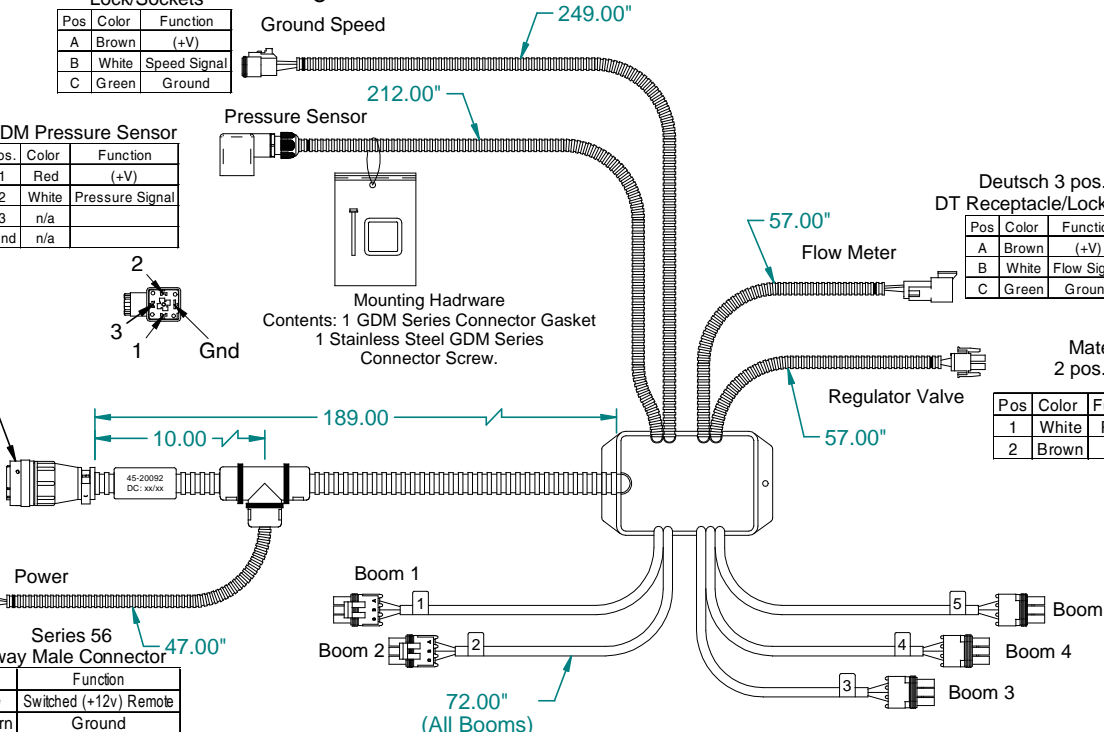
Pos	Color	Function
A	Brown	(+V)
B	White	Speed Signal
C	Green	Ground

GDM Pressure Sensor

Pos.	Color	Function
1	Red	(+V)
2	White	Pressure Signal
3	n/a	
Gnd	n/a	

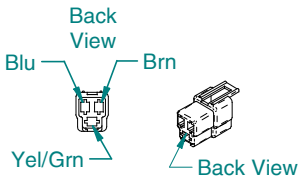
Pressure Sensor

Mounting Hardware
 Contents: 1 GDM Series Connector Gasket
 1 Stainless Steel GDM Series Connector Screw.



Series 56 3 way Male Connector

Color	Function
Blue	Switched (+12v) Remote
Yel/Grn	Ground
Brown	Constant (+12v) Console/Boom Valves



Weather Pack 3 pos. Tower/Skt (All Booms)

Pos	Color	Function
A	Red	(+12v)
B	White	Signal
C	Green	Ground

Deutsch 3 pos. DT Receptacle/Lock/Pins

Pos	Color	Function
A	Brown	(+V)
B	White	Flow Signal
C	Green	Ground

Mate-N-Lock 2 pos. Plug/Pins

Pos	Color	Function	To Inc Flow
1	White	Reg. +	(+12v)
2	Brown	Reg. -	Gnd

Note: 1.0 All dimensions are displayed in "Inches" Unless otherwise specified.

MATERIAL: N/A		FINISH: N/A		TITLE: Cable, Assy, Junction Box	
PROJECTION:		SCALE: UNITS: 1:4 INCH METRIC: X		DRAWN BY: Bryan Reiser	
UNLESS OTHERWISE SPECIFIED TOLERANCE:		APPROVED BY: Steve Leubner		CHECKED BY: Steve Leubner	
R2 5/5/05 Updated	R1 3/11/04	R0 2/19/03 010106	0-1" +/- .1"	10-60" +/- .1"	3XX
REV. DATE	NO. No.		1.5" +/- .25"	60-120" +/- .2"	XXX
			5-10" +/- .5"	120" +/- .3"	XXX
Midwest Technologies IL, LLC. Claims proprietary right in the material disclosed herein. This document is not to be used in any way detrimental to the interest of Midwest Technologies IL, LLC.			SHEET No: 1 of 1 DWG No: C-45-20092		