

A

B

C

D

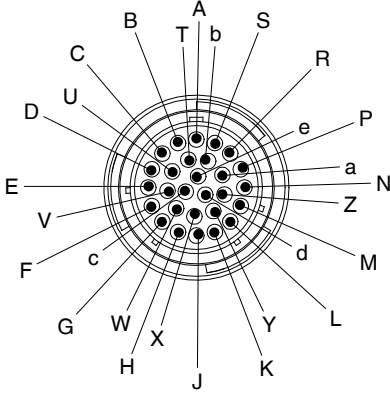
1

2

3

4

Pos.	Color	Function
A	Blue	(+12v) Boom Master
B	White	Boom 1
C	Brown	Boom 2
D	Green	Boom 3
E	Yellow	Boom 4
F	Grey	Boom 5
G	n/a	
H	n/a	
J	n/a	
K	n/a	
L	n/a	
M	n/a	
N	n/a	
P	n/a	
R	Wht/Red	Flowmeter
S	White	Press. Sens.
T	Wht/Grn	Speed Sens.
U	n/a	
V	Brown	(+V) Out
W	n/a	
X	n/a	
Y	n/a	
Z	n/a	
a	White	Reg. +
b	Brown	Reg. -
c	Brown	(+12v)
d	Green	Ground
e	Red	Power In



Booms
Spade Terminals
Female 18ga

Boom	Color
1	White
2	Brown
3	Green
4	Yellow
5	Grey

Spade Terminals
Male 14ga

Color	Function
Red	(+V)
Green	Ground

Flow-Meter
3 Pos. Deutsch Pin

Pos	Color	Function
A	Brown	(+V)
B	Wht/Red	Signal
C	Green	Ground

Pressure
GDM Sensor

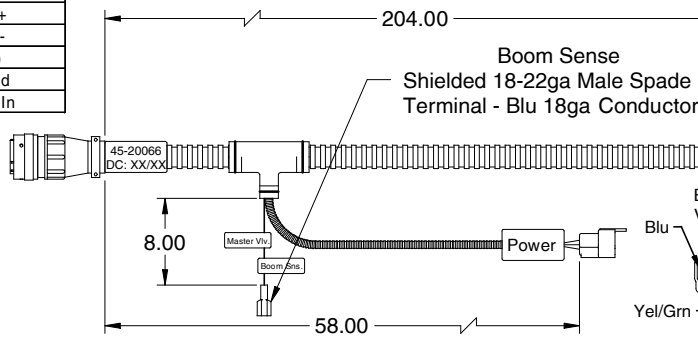
Pos	Color	Function
1	Black	(+V)
2	White	Press.
3	n/a	
Gnd	n/a	

Speed
3 Pos. Deutsch Skt.

Pos	Color	Function
A	Brown	(+V)
B	Wht/Grn	Signal
C	Green	Ground

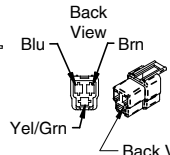
Reg. Valve
AMP Mate 'n' Lock

Pos	Color	Function	To Inc Flow
1	White	Reg. +	(+12v)
2	Brown	Reg.-	Gnd



Power
3 Pos. Male Housing
Series 56 Packard

Color	Function
Blue	Constant (+12v)
Yel/Grn	Console/Boom Valves
Brown	Switched (+12v) Remote



MATERIAL:	N/A	
FINISH:	N/A	
R4 5/2/05 UpDated R3 3/11/04 R2 4/17/03 010219 R1 8/24/01 01152-1 R0 3/9/01 01045-1 REV. DATE NOC No		TITLE: Cable, Direct Console DRAWN BY: J.D. Martie CHECKED BY: Amy Trudner APPROVED BY: Steve Leander SHEET No: 1 of 2 DWS No: C-45-20066
UNLESS OTHERWISE SPECIFIED TOLERANCE: 0-1" +/- .1" 1-5" +/- .25" 5-10" +/- .5"		
PROJECTION: FIRST ANGLE SCALE: 1:4 UNITS: INCH METRIC: X 10-60° +/- .1° X 90-120° +/- .2° X 120° +/- .3° X 3X 5X 5X		
Midwest Technologies IL, LLC. Claims proprietary right in the material disclosed hereon. This document is not to be used in any way detrimental to the interest of Midwest Technologies IL, LLC.		

A

B

C

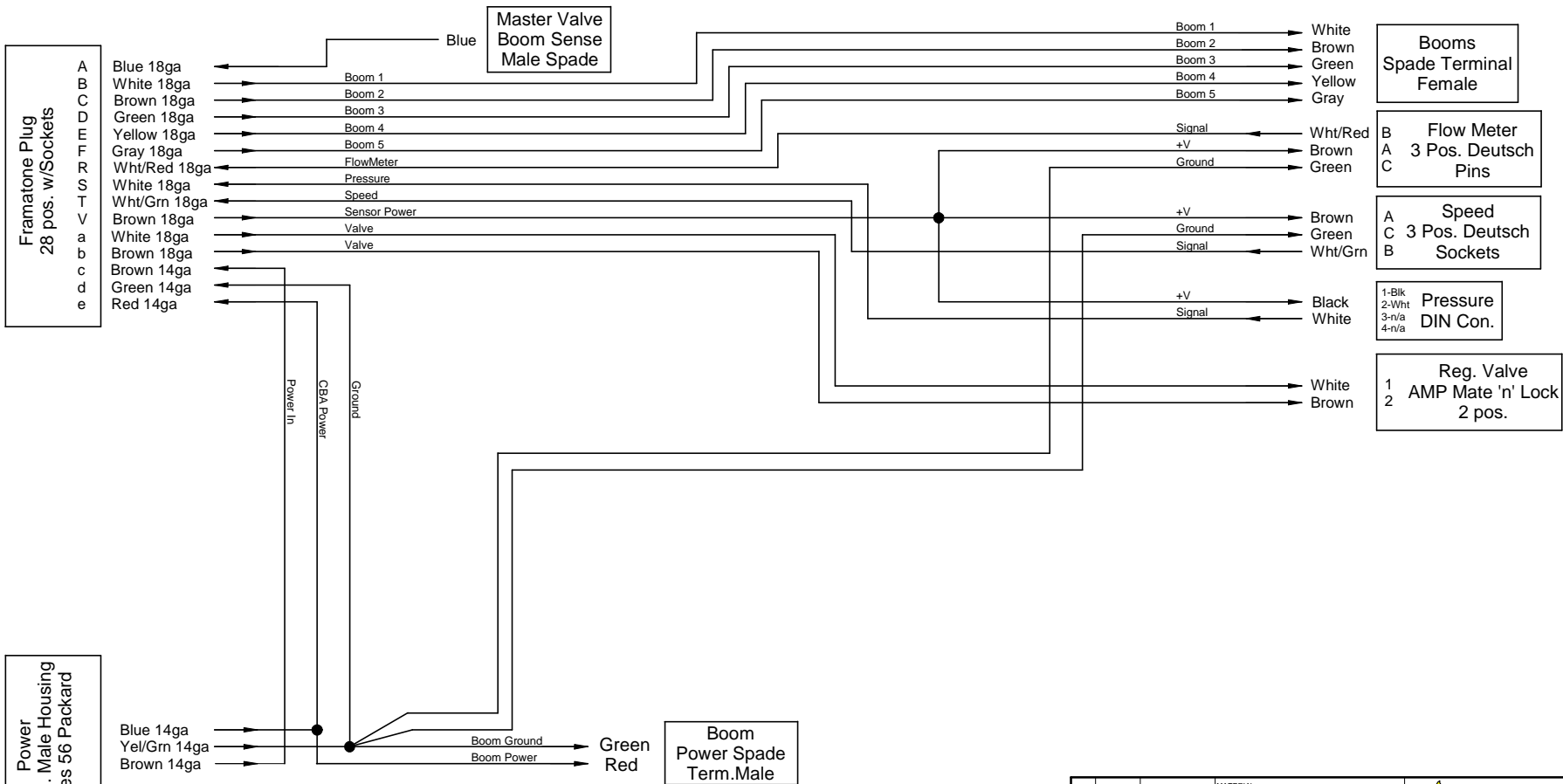
D

1

2

3

4



MATERIAL:			N/A					
FINISH:			N/A			TITLE: Cable, Direct Console		
R4	5/2/05	UpDated	PROJECTION:	SCALE:	UNITS:	DRAWN BY: J. D. Mantle		
R3	3/11/04			1:4	X	CHECKED BY: Amy Lindner		
R2	4/17/03	010219	UNLESS OTHERWISE SPECIFIED TOLERANCE:			APPROVED BY: Steve Lindner		
R1	8/24/01	01152-1	0-1" +/- .1"	10-60" +/- .1"	X	SHEET No: 20f2		
R0	3/9/01	01045-1	1-5" +/- .25"	60-120" +/- .2"	X	DWS No: C-45-20066		
REV.	DATE	NOC. No	5-10" +/- .5"	120" +/- .3"	X			

Midwest Technologies IL, LLC. Claims proprietary right in the material disclosed herein. This document is not to be used in any way detrimental to the interest of Midwest Technologies IL, LLC.