

A

B

C

D

1

2

3

4

Booms
Spade Terminals
Female 18ga

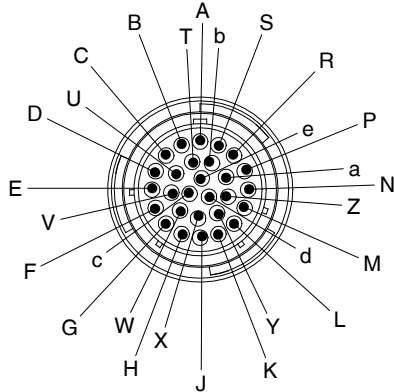
Boom	Color
1	White
2	Brown
3	Green
4	Yellow
5	Grey

Spade Terminals
Male 14ga

Color	Function
Red	(+V)
Green	Ground

Framatome 28 pos. Plug

Pos.	Color	Function
A	Blue	Boom Sns. 12v Out
B	White	Boom 1
C	Brown	Boom 2
D	Green	Boom 3
E	Yellow	Boom 4
F	Grey	Boom 5
G	n/a	
H	n/a	
J	n/a	
K	n/a	
L	n/a	
M	n/a	
N	n/a	
P	n/a	
R	Wht/Red	Flowmeter
S	White	Press. Sens.
T	Wht/Grn	Speed Sens.
U	n/a	
V	Brown	(+V) Out
W	n/a	
X	n/a	
Y	n/a	
Z	n/a	
a	White	Reg. +
b	Brown	Reg. -
c	Brown	12v Boom Master In
d	Green	Ground
e	Red	Power In



Flow-Meter
3 Pos. Deutsch Pin

Pos	Color	Function
A	Brown	(+V)
B	Wht/Red	Signal
C	Green	Ground

Pressure
GDM Sensor

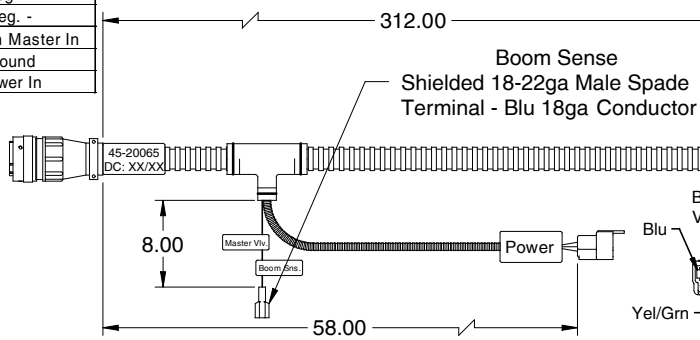
Pos	Color	Function
1	Black	(+V)
2	White	Press.
3	n/a	
Gnd	n/a	

Speed
3 Pos. Deutsch Skt.

Pos	Color	Function
A	Brown	(+V)
B	Wht/Gm	Signal
C	Green	Ground

Reg. Valve
AMP Mate 'n' Lock

Pos	Color	Function	To Inc. Flow
1	White	Reg. +	(+12v)
2	Black	Reg. -	Ground



Power
3 Pos. Male Housing
Series 56 Packard

Color	Function
Blue	Constant (+12v)
Yel/Grn	Console/Boom Valves
Brown	Ground
Brown	Switched (+12v) Remote

MATERIAL:	N/A	
FINISH:	N/A	
TITLE:	Cable, Direct Console	
PROJECTION:	SCALE: UNITS: INCH: METRIC: X	DRAWN BY: J. D. Martin
UNLESS OTHERWISE SPECIFIED TOLERANCE:	0-1" +/- .1"	CHECKED BY: Amy Lindner
REV. DATE	NO. No	APPROVED BY:
R4 5/2/05	UpDated	SHEET No: 1 of 2
R3 3/11/04		DWG No: C-45-20065
R2 4/17/03	010219	
R1 8/24/01	01152-1	
R0 3/9/01	01045-1	

Midwest Technologies IL, LLC. Claims proprietary right in the material disclosed hereon. This document is not to be used in any way detrimental to the interest of Midwest Technologies IL, LLC.

A

B

C

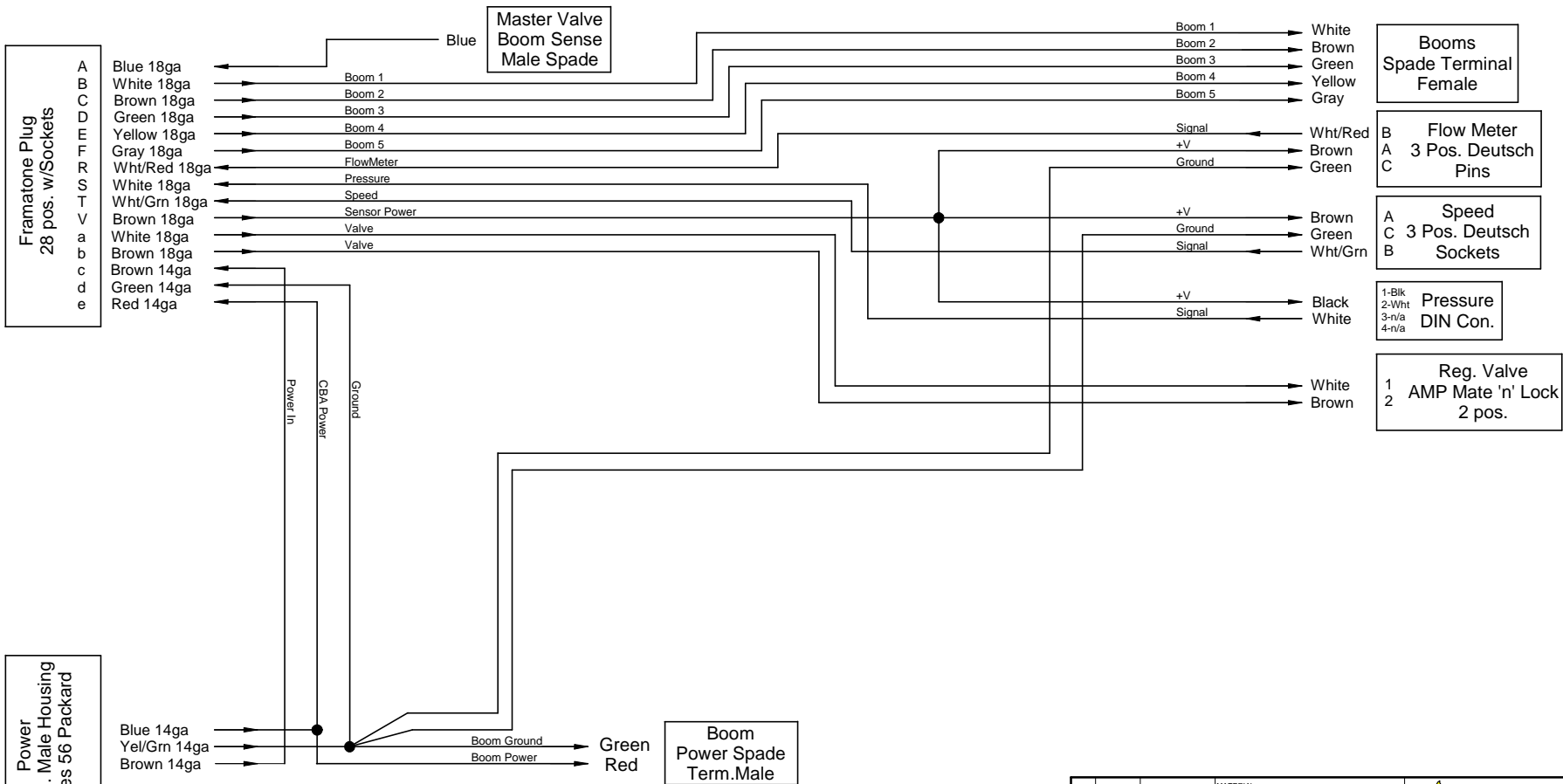
D

1

2

3

4



MATERIAL:		N/A			
FINISH:		N/A		TITLE: Cable, Direct Console	
R4	5/2/05	UpDated	PROJECTION:	SCALE: 1:4	UNITS: X
R3	3/11/04		INCH:		
R2	4/17/03	010219	METRIC:		
R1	8/24/01	01152-1	UNLESS OTHERWISE SPECIFIED TOLERANCE:		
R0	3/9/01	01045-1	0.1° ± .1°	10-60° ± .1°	XX .02
REV.	DATE	NOC. No.	1.5° ± .25°	90-120° ± .2°	XXX .05
			5-10° ± .5°	120° ± .3°	∠
			APPROVED BY: <i>Steve Lechner</i>		
			DRAWN BY: <i>J. D. Mantle</i>		
			CHECKED BY: <i>Steve Lechner</i>		
			SHEET No: 2of2		
			DWS No: C-45-20065		
Midwest Technologies IL, LLC. Claims proprietary right in the material disclosed herein. This document is not to be used in any way detrimental to the interest of Midwest Technologies IL, LLC.					