

A

B

C

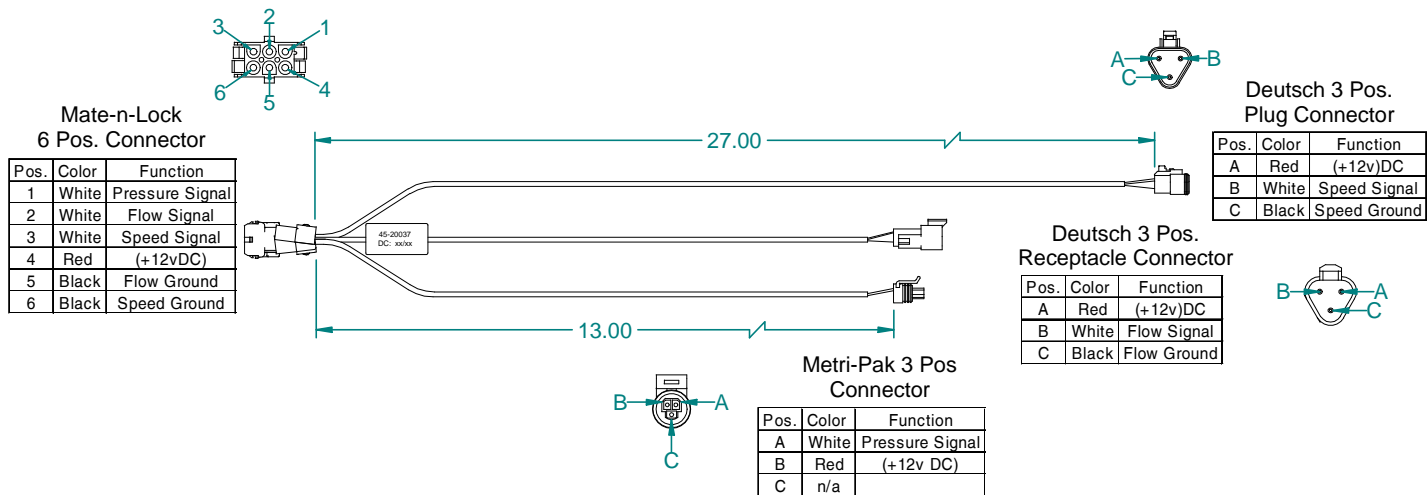
D

1

2

3

4



MATERIAL:		n/a			
FINISH:		n/a		TITLE: Cable, Sensor End 30'	
PROJECTION:		SCALE: UNITS: X INCH METRIC: 1:4		DRAWN BY: <i>Raymond Williams</i>	
UNLESS OTHERWISE SPECIFIED TOLERANCE:		0-1" ±.1" 10-60" ±.1" XX 1-5" ±.25" 60-120" ±.2" XXX 5-10" ±.5" 120" ±.3" Z		CHECKED BY: <i>Ray Williams</i>	
R1	6/23/03	10251		APPROVED BY: <i>Ray Williams</i>	
R0	2-5-98	39495-1-3		SHEET No: 1 of 1 DWG No: C-45-20037	
REV.	DATE	DOC. No.			

Midwest Technologies IL, LLC. Claims proprietary right in the material disclosed hereon. This document is not to be used in any way detrimental to the interest of Midwest Technologies IL, LLC.