

A

B

C

D

Reg. Valve
Mate-N-Lok
2 Pos. Housing
w/Sockets

Pos	Color	Function
1	Brown	Reg. Valve
2	White	Reg. Valve

Weather-Pack
Shroud 4 Pos w/Pins
Boom 3

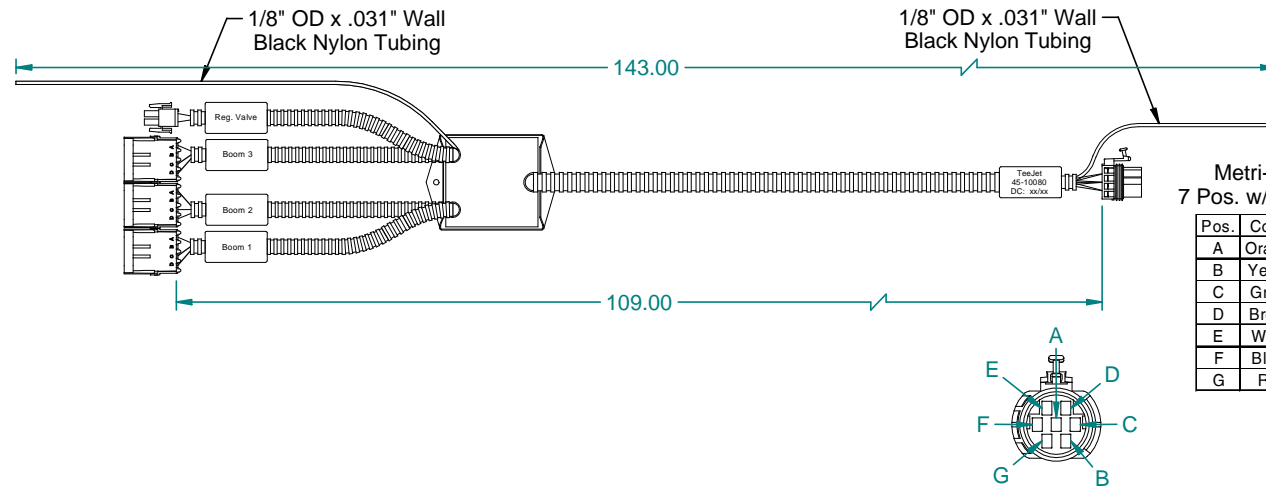
Position	Color	Function
A	Black	Ground
B	Plug	
C	Orange	Signal
D	Red	(+12v)

Weather-Pack
Shroud 4 Pos w/Pins
Boom 2

Position	Color	Function
A	Black	Ground
B	Plug	
C	Yellow	Signal
D	Red	(+12v)

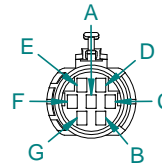
Weather-Pack
Shroud 4 Pos w/Pins
Boom 1

Position	Color	Function
A	Black	Ground
B	Plug	
C	Green	Signal
D	Red	(+12v)


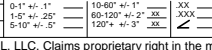


Metri-Pack Tower
7 Pos. w/Pins 150 Series

Pos.	Color	Function
A	Orange	Boom 3 Sig.
B	Yellow	Boom 2 Sig.
C	Green	Boom 1 Sig.
D	Brown	Reg. Valve
E	White	Reg. Valve
F	Black	Ground
G	Red	(+12v)



Note: 1.0 All dimensions are displayed in "Inches" Unless otherwise specified.

MATERIAL:		n/a			
FINISH:		n/a		TITLE: Harness, 744 Ball Valve	
PROJECTION:		SCALE: UNITS: X INCH: 1:4 METRIC: X		DRAWN BY: <i>Bryan Reese</i>	
UNLESS OTHERWISE SPECIFIED TOLERANCE:				CHECKED BY: <i>Ray Anderson</i>	
REV. DATE DOC. No		SHEET No: 1 of 1		DWG No: C-45-10080	
Midwest Technologies IL, LLC. Claims proprietary right in the material disclosed herein. This document is not to be used in any way detrimental to the interest of Midwest Technologies IL, LLC.					

1

2

3

4