

A

B

C

D

1

2

3

4

PCM 30 Pos. Metripack

Pos.	Color	Function
A1	Red	CAN (+V) Out
A2	Orange	CAN High
A3	Black	CAN Low
B1	Green	CAN Ground
B2	White	CAN Shield
B3	n/a	
C1	Black	Sensor 'A' Ground
C2	Black	Sensor 'E' Ground
C3	n/a	
D1	Green	Sensor 'A' Input
D2	Brown	Sensor 'B' Input
D3	n/a	
E1	Red	Sensor 'A' +V (PTC1)
E2	Red	Sensor 'E' +V (PTC2b)
E3	n/a	
F1	Black	Valve Open
F2	n/a	
F3	n/a	
G1	White	Valve Close
G2	n/a	
G3	n/a	
H1	n/a	
H2	Black	Bat. Ground Input
H3	White	Sensor 'C' Input
J1	Red	Valve +V (Bat. SW)
J2	n/a	
J3	n/a	
K1	Red	Bat. (+V) Input
K2	n/a	
K3	n/a	

Product Monitor C Weatherpack 3 Pos

Pos.	Color	Function
A	Black	Sensor Ground
B	Red	Sensor (+V) (PTC2b)
C	White	Sensor C Input

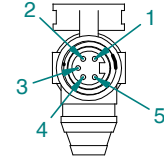
Agitation Motor Weatherpack 3 Pos

Pos.	Color	Function
A	Red	Valve +V (Bat Sw)
B	n/a	
C	Black	Valve Open

Legacy Pump Metri-Pack 6 pos Tower

Pos.	Color	Function
A	Blue	Reg. Valve -
B	Brown	Reg. Valve +
C	Green	Boom 1
D	White	Pump 1
E	Red	12v Master In
F	Black	(+12v) Agitation

CAN 'T' Male Side (Pins) Face View

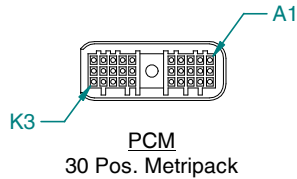
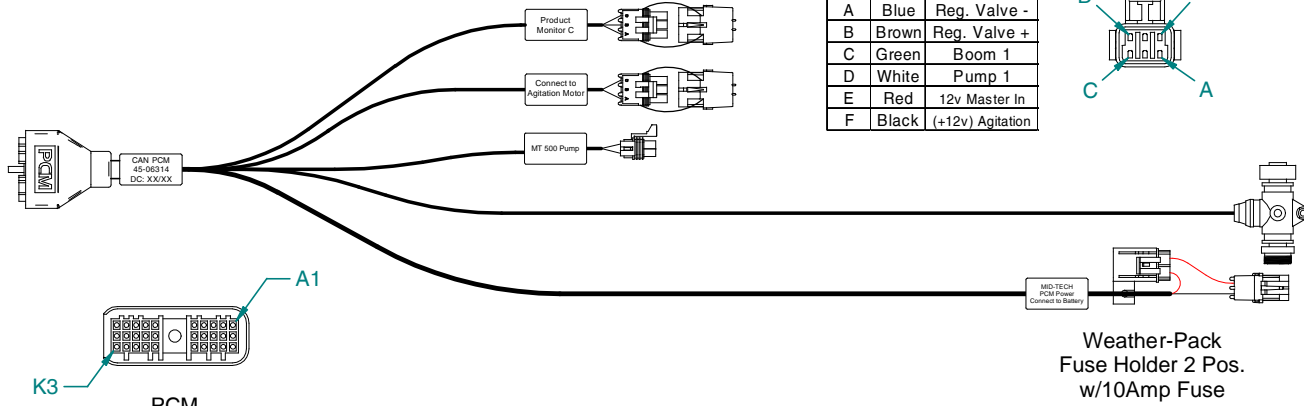


CAN 'T' 5 Pos

Position	Color	Function
1	White	CAN Shield
2	Red	CAN (+V) Out
3	Green	CAN Ground
4	Orange	CAN High
5	Black	CAN Low

Power Weather-Pack 2 Pos

Position	Color	Function
A	Red	Bat. +V Input
B	Black	Bat Ground Input



Weather-Pack
Fuse Holder 2 Pos.
w/10Amp Fuse

MATERIAL:		N/A		
FINISH:		N/A		
PROJECTION:		SCALE:	UNITS:	TITLE: Harness, PCM to MT 500 Pump w/Agitation DRAWN BY: <i>Rayan Reiser</i> CHECKED BY: <i>Anna Trudnow</i> APPROVED BY: <i>Diana Saterius</i>
UNLESS OTHERWISE SPECIFIED TOLERANCE:		1:2	INCH: X METRIC: X	
REV.	DATE	NOC No	0-1" +/- .1" 10-60" +/- 1" 3XX .02 1-5" +/- .25" 60-120" +/- 2" 1XX .05 5-10" +/- .5" 120" +/- 3" 1"	SHEET No: 1 of 1 DWS No: C-45-06314
Midwest Technologies IL, LLC. Claims proprietary right in the material disclosed herein. This document is not to be used in any way detrimental to the interest of Midwest Technologies IL, LLC.				