

A

B

C

D

1

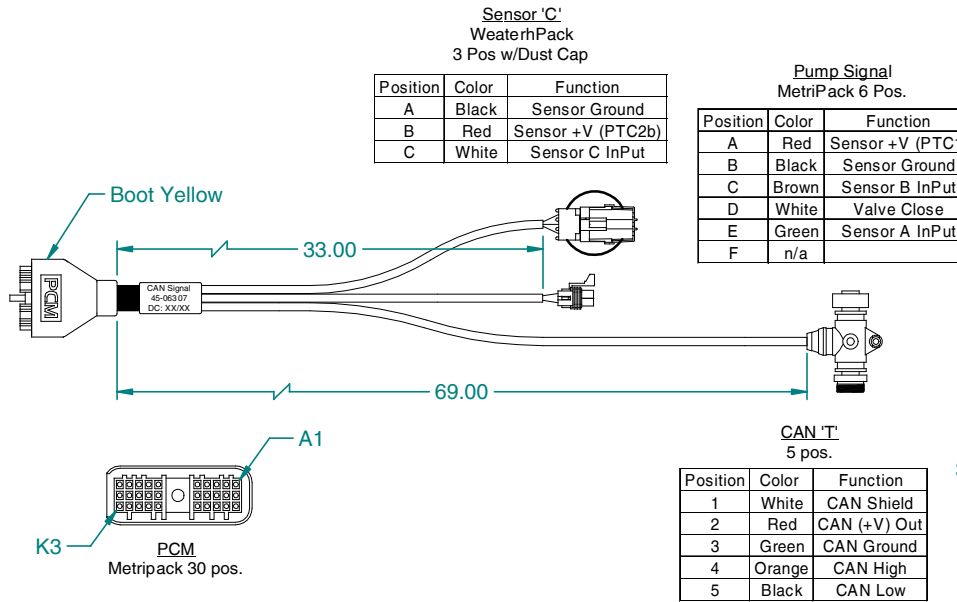
2

3

4

PCM  
MetriPack 30 pos.

Position	Color	Function
A1	Red	CAN (+V) Out
A2	Orange	CAN High
A3	Black	CAN Low
B1	Green	CAN Ground
B2	White	CAN Shield
B3	Black	Sensor Ground
C1	Black	Sensor Ground
C2	Black	Sensor Ground
C3	n/a	
D1	Green	Sensor A InPut
D2	Brown	Sensor B InPut
D3	n/a	
E1	Red	Sensor +V (PTC1)
E2	Red	Sensor +V (PTC2b)
E3	Red	Sensor +V (PTC2a)
F1	n/a	
F2	n/a	
F3	n/a	
G1	White	Valve Close
G2	n/a	
G3	n/a	
H1	n/a	
H2	Black	Bat. Ground Input
H3	White	Sensor C InPut
J1	n/a	
J2	n/a	
J3	n/a	
K1	Red	Bat. +V Input
K2	n/a	
K3	n/a	



Note: 1.0 All dimensions are displayed in "Inches" unless otherwise specified.

MATERIAL:		N/A			
FINISH:		N/A			
PROJECTION:		SCALE: UNITS: X		TITLE: Cable, Signal, Pump to CAN	
UNLESS OTHERWISE SPECIFIED TOLERANCE:		1:4		DRAWN BY: Bryan Reiser	
0-1" +/- .1"		10-60" +/- 1"		CHECKED BY: Amy Neuber	
1-5" +/- .25"		60-120" +/- 2"		APPROVED BY: Scott Leuber	
5-10" +/- .5"		120" +/- 3"		SHEET No: 1 of 1	
REV.	DATE	DOC. No		DWS No: C-45-06307	
Midwest Technologies IL, LLC. Claims proprietary right in the material disclosed herein. This document is not to be used in any way detrimental to the interest of Midwest Technologies IL, LLC.					