

A

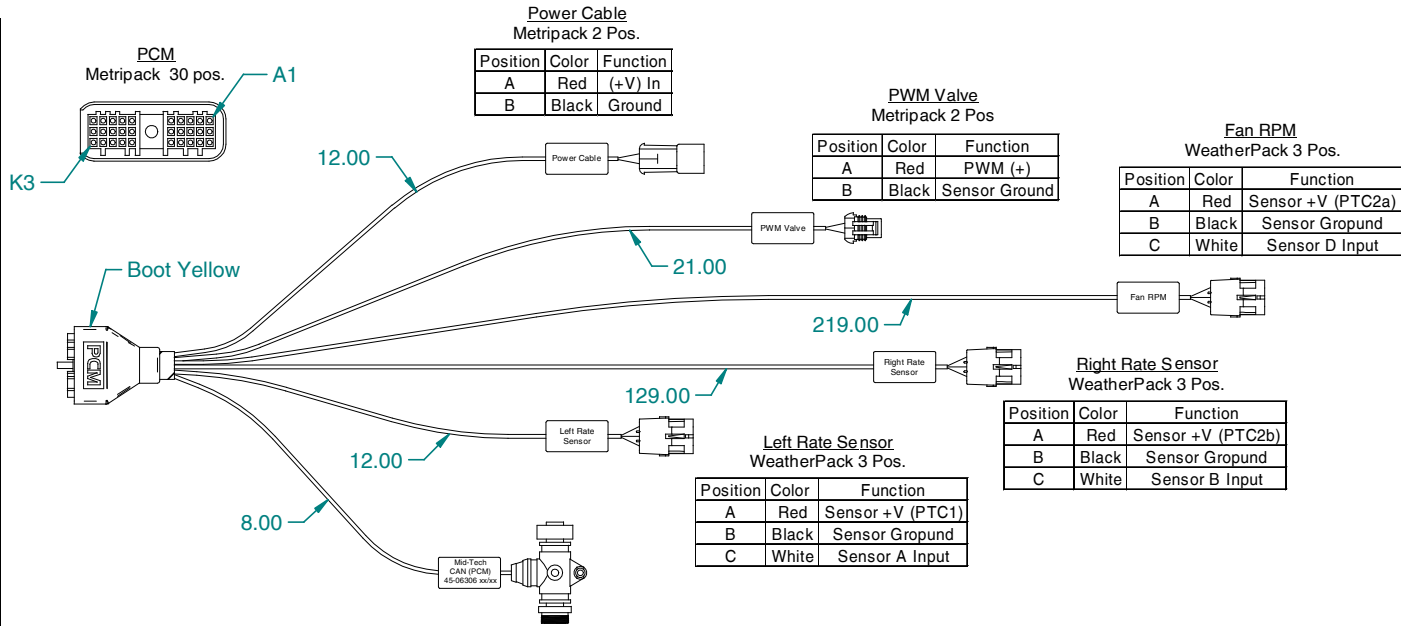
B

C

D

PCM
Metripack 30 pos.

Position	Color	Function
A1	Red	CAN (+V) Out
A2	Orange	CAN Hi
A3	Black	CAN Low
B1	Green	CAN Ground
B2	White	CAN Shield
B3	n/a	
C1	Black	Sensor Ground
C2	Black	Sensor Ground
C3	n/a	
D1	White	Sensor A Input
D2	White	Sensor B Input
D3	n/a	
E1	Red	Sensor +V (PTC1)
E2	Red	Sensor +V (PTC2b)
E3	Red	Sensor +V (PTC2a)
F1	n/a	
F2	n/a	
F3	Black	Sensor Ground
G1	Green	Valve Close
G2	n/a	
G3	n/a	
H1	n/a	
H2	Black	Bat. Ground Input
H3	n/a	
J1	n/a	
J2	n/a	
J3	White	Sensor D Input
K1	Red	Bat. +V Input
K2	n/a	
K3	Red	PWM +



Power Cable
Metripack 2 Pos.

Position	Color	Function
A	Red	(+V) In
B	Black	Ground

PWM Valve
Metripack 2 Pos

Position	Color	Function
A	Red	PWM (+)
B	Black	Sensor Ground

Fan RPM
WeatherPack 3 Pos.

Position	Color	Function
A	Red	Sensor +V (PTC2a)
B	Black	Sensor Gropund
C	White	Sensor D Input

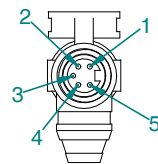
Right Rate Sensor
WeatherPack 3 Pos.

Position	Color	Function
A	Red	Sensor +V (PTC2b)
B	Black	Sensor Gropund
C	White	Sensor B Input

Left Rate Sensor
WeatherPack 3 Pos.

Position	Color	Function
A	Red	Sensor +V (PTC1)
B	Black	Sensor Gropund
C	White	Sensor A Input

CAN 'T'
Male Side (Pins)
Face View



CAN 'T'
5 pos.

Position	Color	Function
1	White	CAN Shield
2	Red	CAN (+V) Out
3	Green	CAN Ground
4	Orange	CAN High
5	Black	CAN Low

Note: 1.0 All dimensions are displayed in "Inches" unless otherwise specified.

MATERIAL: N/A		Midwest Technologies Illinois	
FINISH: N/A		TITLE: Cable, PCM PWM Valve Plus L/R Gran. Sensor	
PROJECTION:	SCALE: UNITS: X METRIC: 1:4	DRAWN BY: Bryan Reiser	
UNLESS OTHERWISE SPECIFIED TOLERANCE:		CHECKED BY: Amy Neuber	
0.1" +/- .01"	10-60" +/- .1"	APPROVED BY: Scott Leuber	
1.5" +/- .05"	60-120" +/- .2"	SHEET No: 1 of 1	
5-10" +/- .5"	120" +/- .3"	DWS No: C-45-06306	
Midwest Technologies IL, LLC. Claims proprietary right in the material disclosed herein. This document is not to be used in any way detrimental to the interest of Midwest Technologies IL, LLC.			

1

2

3

4