

A

B

C

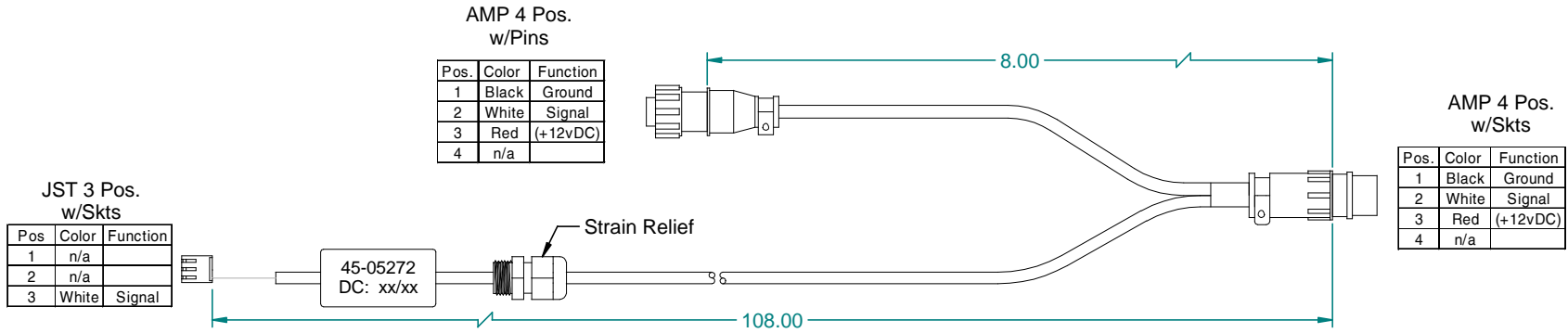
D

1

2

3

4



AMP 4 Pos. w/Pins

Pos.	Color	Function
1	Black	Ground
2	White	Signal
3	Red	(+12vDC)
4	n/a	

AMP 4 Pos. w/Skts

Pos.	Color	Function
1	Black	Ground
2	White	Signal
3	Red	(+12vDC)
4	n/a	

JST 3 Pos. w/Skts

Pos	Color	Function
1	n/a	
2	n/a	
3	White	Signal

Note: 1.0 All dimensions are displayed in "Inches", unless otherwise specified.

MATERIAL:		n/a												
FINISH:		n/a		TITLE: Cable, Radar Y AGCO										
PROJECTION:		SCALE: UNITS: X INCH METRIC: 1:2		DRAWN BY: Bryan Reiser										
UNLESS OTHERWISE SPECIFIED TOLERANCE:		<table border="1"> <tr> <td>0-1" +/- .1"</td> <td>10-60" +/- .1"</td> <td>XX</td> </tr> <tr> <td>1-5" +/- .25"</td> <td>60-120" +/- .2"</td> <td>XX</td> </tr> <tr> <td>5-10" +/- .5"</td> <td>120" +/- .3"</td> <td>XX</td> </tr> </table>		0-1" +/- .1"	10-60" +/- .1"	XX	1-5" +/- .25"	60-120" +/- .2"	XX	5-10" +/- .5"	120" +/- .3"	XX	CHECKED BY: Amy Reiser	
0-1" +/- .1"	10-60" +/- .1"	XX												
1-5" +/- .25"	60-120" +/- .2"	XX												
5-10" +/- .5"	120" +/- .3"	XX												
REV. DATE		NO. No		APPROVED BY: Bryan Reiser										
R0	1/29/04	10332		SHEET No:	DWG No:									
				1 of 1	C-45-05272									
Midwest Technologies IL, LLC. Claims proprietary right in the material disclosed herein. This document is not to be used in any way detrimental to the interest of Midwest Technologies IL, LLC.														