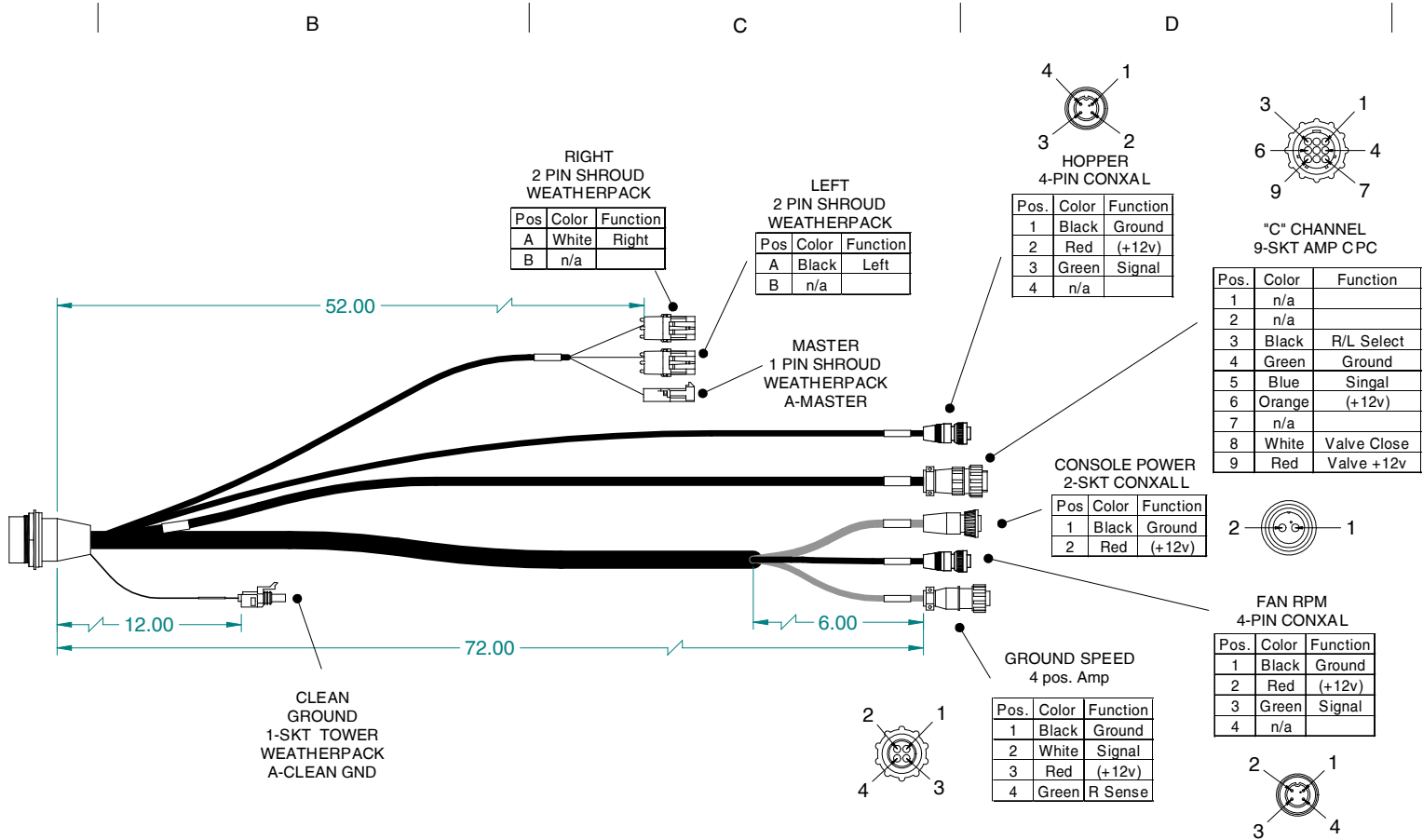


BULKHEAD CONNECTOR
23 PIN, PANEL MNT.

Pos.	Color	Function
A	Orange	"C" (+12v)
B	Green	"C" Ground
C	Blue	"C" Signal
D	Red	(+12v) Valve
E	Red	Master
F	White	Valve Close
G	n/a	
H	Black	Gnd Hopper
J	Black	R/L Select
K	Red	(+12v) Fan/RPM
L	Black	Gnd Fan/RPM
M	Green	Fan/Tach Sig.
N	Black	Gnd (Gnd Speed)
O	White	Sig. (Gnd Speed)
P	Red	(+12v) Gnd Speed
Q	Green	R Sense Gnd Speed
R	Red	(+12v) Hopper
S	Green	Signal Hopper
T	White	Right
U	Black	Left
V	Black	Clean Ground
W	Red	(+12v) Console
X	Black	Gnd Console



MATERIAL:		See Notes	
FINISH:		See Notes	
PROJECTION:		SCALE: UNITS: INCH METRIC: X	TITLE: Harness, In Cab A
UNLESS OTHERWISE SPECIFIED TOLERANCE:		1:4	DRAWN BY: Bryan Retzer
R1	6/11/04	00272-1	CHECKED BY: Amy Retzer
RD	8/12/00	00221-1	APPROVED BY: <i>[Signature]</i>
REV.	DATE	DOC. No.	SHEET No: DWG. No: 1 of 1 C-45-05182

Midwest Technologies IL, LLC. Claims proprietary right in the material disclosed herein. This document is not to be used in any way detrimental to the interest of Midwest Technologies IL, LLC.