

A

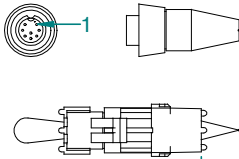
B

C

D

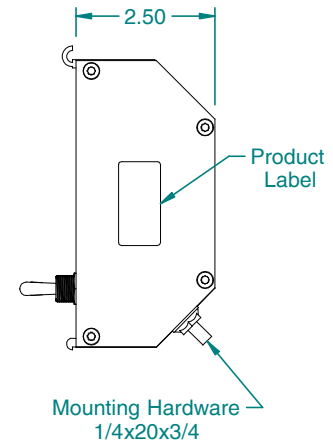
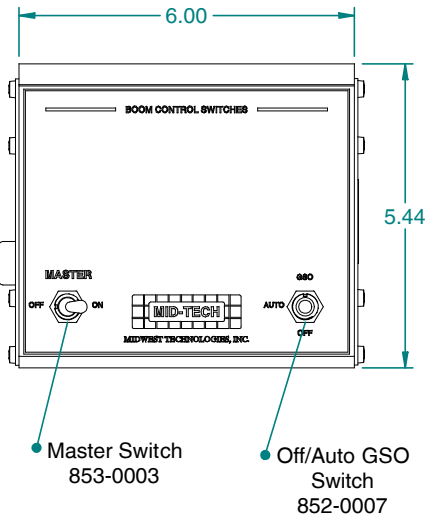
Boom Status
Conxall, 8 Pos.

Position	Color	Function
1	Black	Ground
2	Red	(+12v) Fil Sw
3	Green	In Select
4	n/a	
5	Orange	Shift In
6	n/a	
7	Yellow	Clock
8	n/a	



Remote Master
WeatherPack, 2 Pos.

Pos.	Color	Function
A	Red	Boom 1 Sense
B	Black	Master Sw.



MATERIAL:			N/A					
FINISH:			N/A			TITLE: SWITCHBOX, SINGLE BOOM WITH OFF/AUTO/GSO		
PROJECTION:			SCALE: UNITS: X			DRAWN BY: <i>Rayon Nelson</i>		
UNLESS OTHERWISE SPECIFIED TOLERANCE:			1:2			CHECKED BY: <i>Scott Kauder</i>		
R0 7/14/03 00027-2			0.1* +/- .1*			10-60* +/- .1*		
99364-2			1.5* +/- .25*			60-120* +/- .2*		
REV. DATE			5-10* +/- .5*			120* +/- .3*		
NOC No			XX			SHEET No: 1 of 1		
			XXX			DWS No: C-405-0075		
			Z			APPROVED BY: <i>Scott Kauder</i>		
Midwest Technologies IL, LLC. Claims proprietary right in the material disclosed herein. This document is not to be used in any way detrimental to the interest of Midwest Technologies IL, LLC.								