

A

B

C

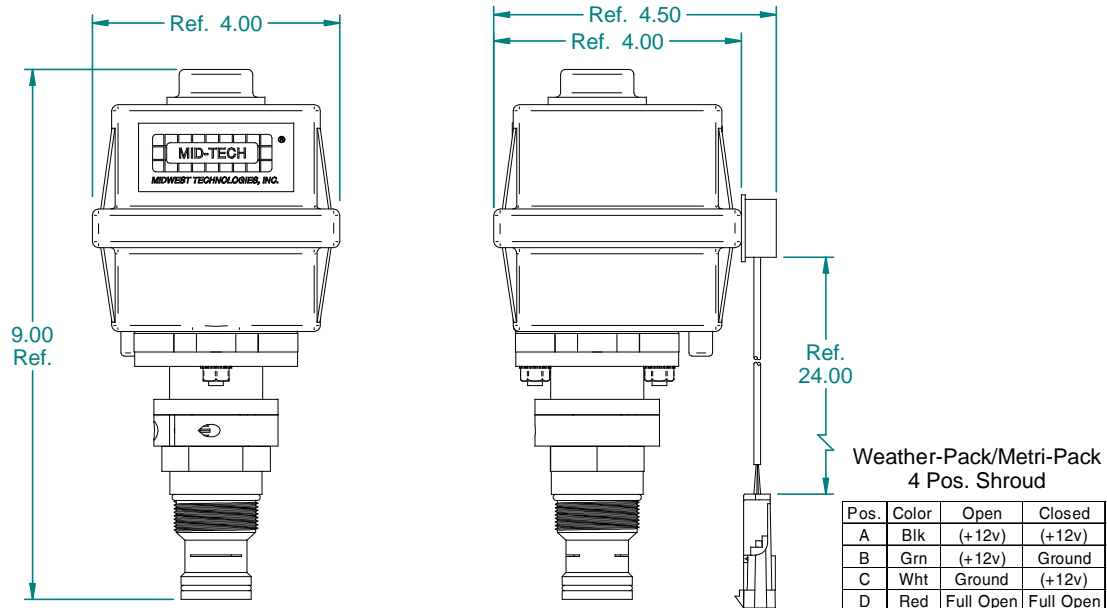
D

1

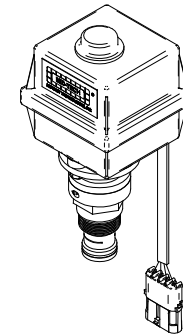
Cartridge Assy.

Part Number	Description
35-02011	Cartridge Assy. Exr II, 7sec. 13.8gpm. w/Metri-Pack Conn.
35-04011	Cartridge Assy. Exr II, 7sec. 15gpm. w/Weather-Pack Conn.
35-04012	Cartridge Assy. Exr II, 7sec. 20gpm w/Weather-Pack Conn.
35-04014	Cartridge Assy. Exr II, 7sec. 50gpm w/Weather-Pack Conn.
35-04015	Cartridge Assy. Exr II, 3sec. 15gpm. w/Weather-Pack Conn.
35-04016	Cartridge Assy. Exr II, 3sec. 20gpm. w/Weather-Pack Conn.
35-04017	Cartridge Assy. Exr II, 3sec. 30gpm. w/Weather-Pack Conn.
35-04018	Cartridge Assy. Exr II, 3sec. 50gpm. w/Weather-Pack Conn.
35-04019	Cartridge Assy. Exr II, 3sec. 13gpm. w/Weather-Pack Conn.
35-04038	Cartridge Assy. Exr II, 7sec. 8gpm w/Weather-Pack Conn.

2



3



4

Note: 1.0 All dimensions are displayed in "Inches",
Unless otherwise specified.

MATERIAL:		n/a			
FINISH:		n/a		TITLE: Cartridge Assy. Tabulated Drawing	
PROJECTION:		SCALE: UNITS: X 1:2 INCH METRIC:		DRAWN BY: <i>Bryan Reiser</i>	
UNLESS OTHERWISE SPECIFIED TOLERANCE:		0-1" +/- .1" 10-60" +/- .1" .XX 1-5" +/- .25" 60-120" +/- .2" XXX 5-10" +/- .5" 120" +/- .3" Z		CHECKED BY: <i>Ray Henders</i>	
REV	DATE	SHEET No: 1 of 1		APPROVED BY: <i>Dylan Stewart</i>	
R0	2/26/04	DWG No: C-35-04041			
Midwest Technologies IL, LLC. Claims proprietary right in the material disclosed hereon. This document is not to be used in any way detrimental to the interest of Midwest Technologies IL, LLC.					