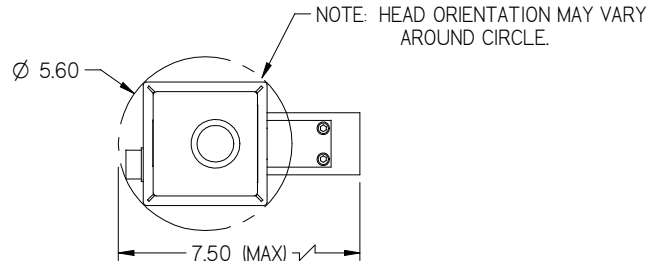


A

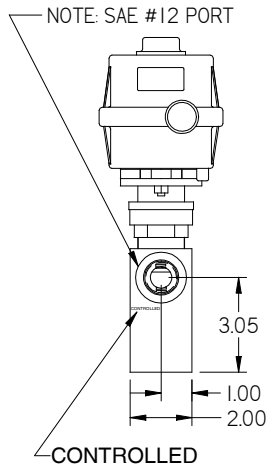
B

C

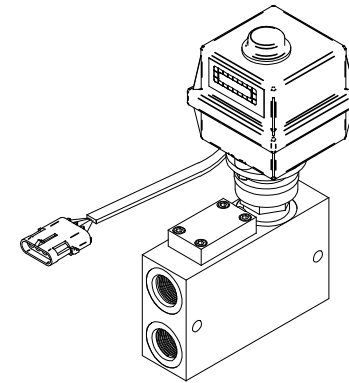
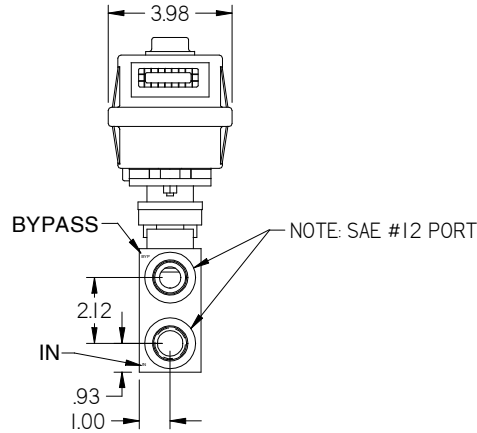
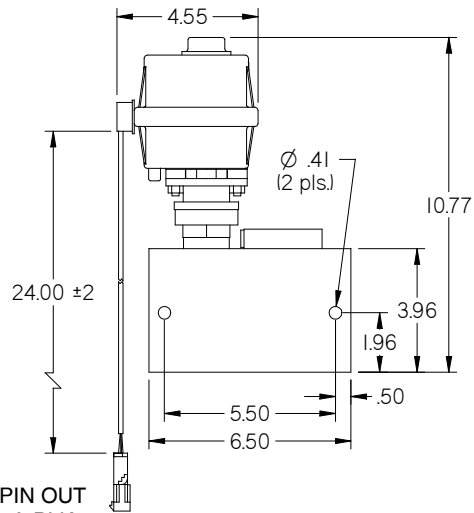
D



2



3



4

MATERIAL: HEAD-POLYPROPYLENE BODY-ALUMINUM			
FINISH: HEAD-TEXTURED BODY-SMOOTH		TITLE: VALVE, W/MAINFOLD EXR-II 3 SEC. 20 G.P.M.	
PROJECTION: 	SCALE: UNITS: X 1:4 INCH METRIC: X	DRAWN BY: <i>Bryan Reiser</i>	
UNLESS OTHERWISE SPECIFIED TOLERANCE:		CHECKED BY: <i>Amy Newburn</i>	
0-.1" ±.01"	10-60" ±.1"	APPROVED BY: <i>Diana Stewart</i>	
1-.5" ±.025"	60-120" ±.2"	SHEET No: 1 of 1	
5-10" ±.5"	120" ±.3"	DWG No: C-35-02026	
Midwest Technologies IL, LLC. Claims proprietary right in the material disclosed herein. This document is not to be used in any way detrimental to the interest of Midwest Technologies IL, LLC.			