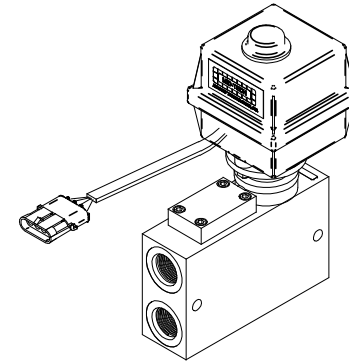
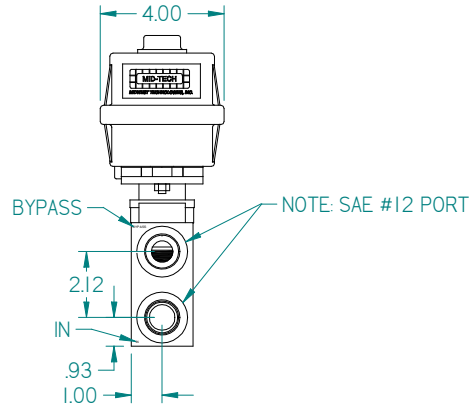
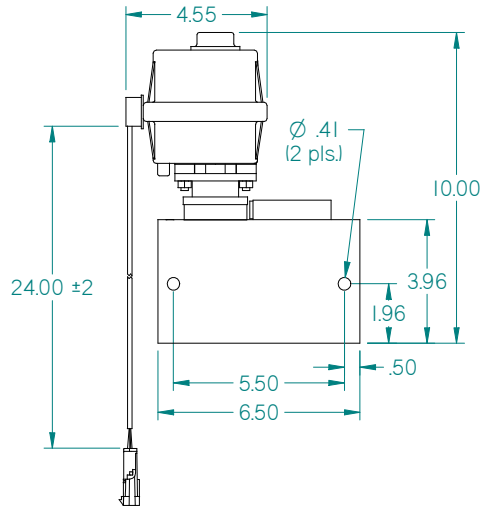
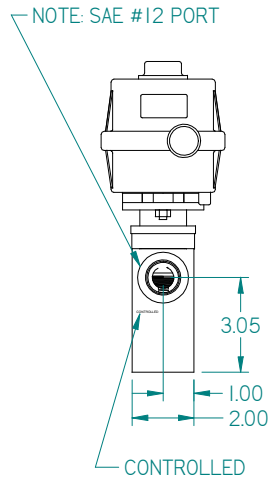
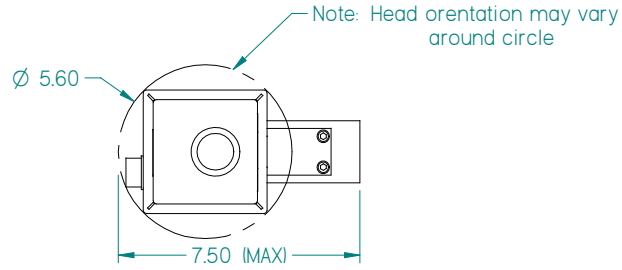


A

B

C

D



Weatherpack
4 Pos. Shroud

Pin Out -- Open -- Closed
 A-BLK -- +12v -- +12v
 B-GRN -- +12v -- Gnd
 C-WHT -- Gnd -- +12v
 D-RED -- Full Open -- Full Open

MATERIAL: HEAD-POLYPROPYLENE BODY-ALUMINUM		
FINISH: HEAD-TEXTURED BODY-SMOOTH		
TITLE: VALVE, W/MAINFOLD EXR-II 3 SEC. 30 G.P.M.		
PROJECTION: 	SCALE: UNITS: X INCH: 1:4 METRIC: X	DRAWN BY: <i>Rayan Reiser</i>
UNLESS OTHERWISE SPECIFIED TOLERANCE:		CHECKED BY: <i>Alan Robinson</i>
R2 2/19/01 00238-1	0-1" +.1	APPROVED BY: <i>Dwaine Stewart</i>
R1 7/21/00 00115-3	1-5" +.25	SHEET No: 1 of 1
R0 9/9/99 99251-1	5-10" +.5	DWG No: C-35-02024
REV. DATE	NOC. No	
Midwest Technologies IL, LLC. Claims proprietary right in the material disclosed herein. This document is not to be used in any way detrimental to the interest of Midwest Technologies IL, LLC.		