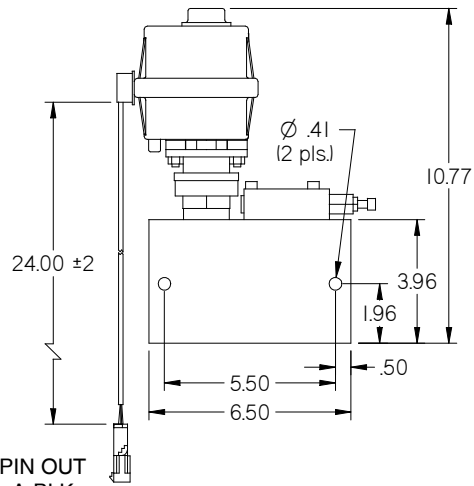
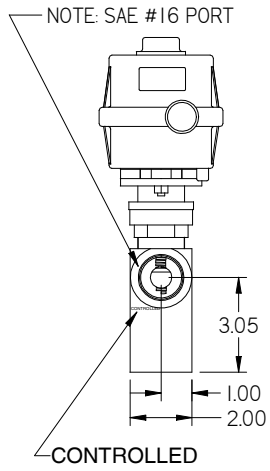
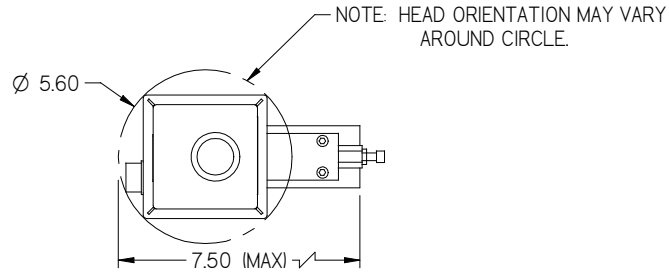


A

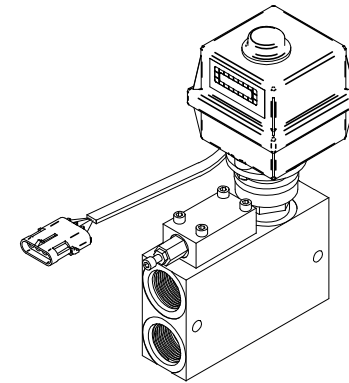
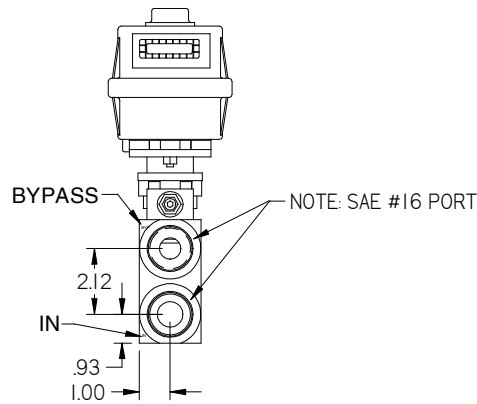
B

C

D



PIN OUT
A-BLK
B-GRN
C-WHT
D-RED



		MATERIAL: HEAD-POLYPROPYLENE BODY-ALUMINUM			
		FINISH: HEAD-TEXTURED BODY-SMOOTH		TITLE: VALVE, W/MAINFOLD EXR-II 3 SEC. 50 G.P.M. W/RELIEF	
		PROJECTION: SCALE: UNITS: X INCH METRIC: 1:4		DRAWN BY: <i>Bryan Reese</i>	
		UNLESS OTHERWISE SPECIFIED TOLERANCE:		CHECKED BY: <i>Amy Newburn</i>	
R0 9/23/99 99266-4		0-.1+/- .1" 10-60+/- .1" .XX		APPROVED BY: <i>Diane Stewart</i>	
REV. DATE DOC. No		.1-.5+/- .25" 60-120+/- .2" .XXX		SHEET No: DWG No:	
		.5-1.0+/- .5" 120+/- .3" .ZZ		1 of 1 C-35-02023	
Midwest Technologies IL, LLC. Claims proprietary right in the material disclosed hereon. This document is not to be used in any way detrimental to the interest of Midwest Technologies IL, LLC.					