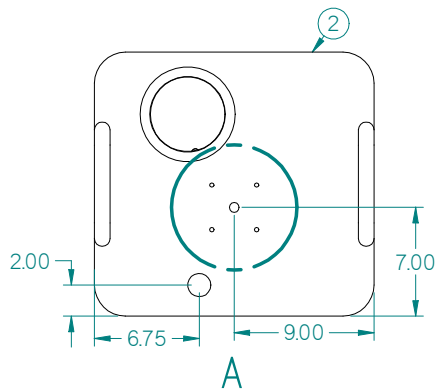
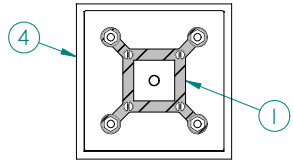


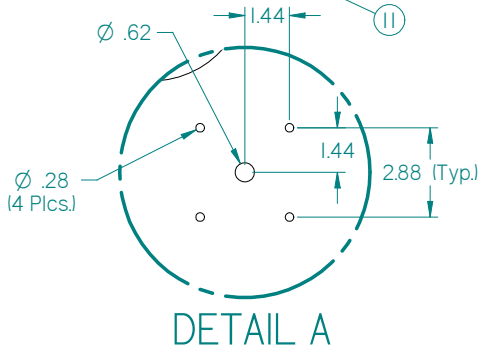
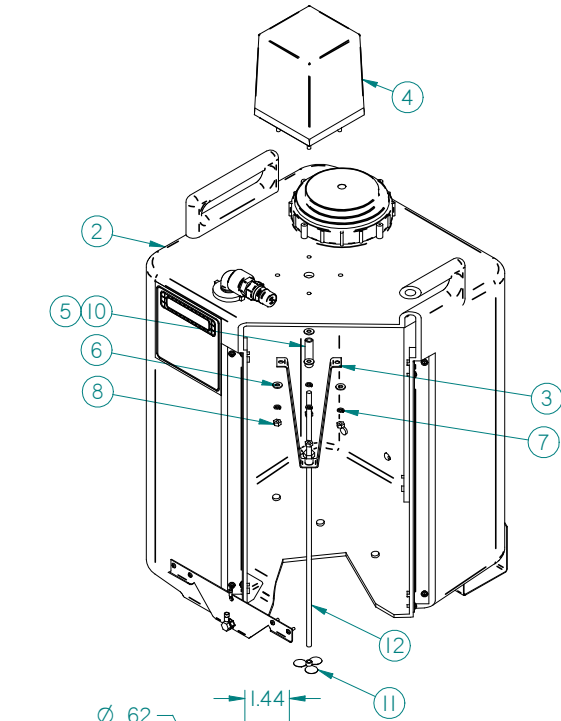
A

| Item | Description | Part Number | Qty. | U.M. |
|------|----------------------------------|-------------|-------|------|
| 1 | SILICONE, 737 RTV | 010-0007 | 0.001 | EA |
| 2 | TANK, 25gal .5" FITTING | 160-0033 | 1 | EA |
| 3 | BRACKET, SST SUPPORT | 170-0004 | 1 | EA |
| 4 | MOTOR DRIVER ASSY. | 170-0007 | 1 | EA |
| 5 | SET SCREW SST | 307-0015 | 4 | EA |
| 6 | FLATWASHER, SST 1/4"x5/8"OD | 350-0024 | 2 | EA |
| 7 | LOCKWASHER, SPLIT RING SST 1/4" | 350-0040 | 4 | EA |
| 8 | NUT, HEX 1/4x20, SST | 350-0060 | 4 | EA |
| 9 | CABLE, EXT. 18/2x18' | 402-0009 | 1 | EA |
| 10 | COUPLING, SST 5/16"IDx1/2"ODx2"L | 600-0029 | 1 | EA |
| 11 | PROPELLER, SS 5/16" BOREx3"DIA | 600-0030 | 1 | EA |
| 12 | SHAFT, SS 5/16"x20"L | 600-0031 | 1 | EA |



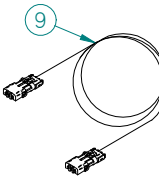
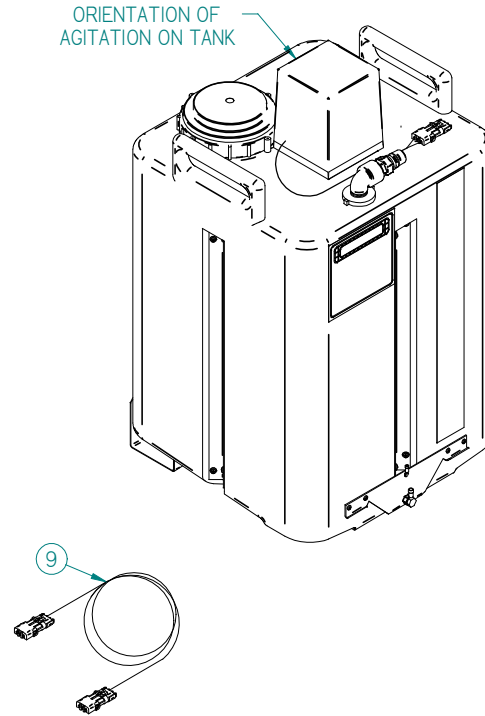
A

B



DETAIL A

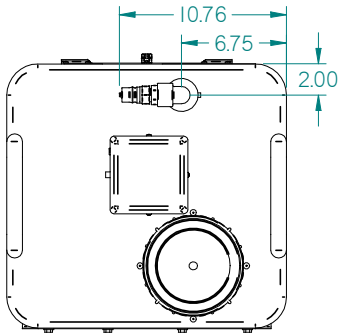
C



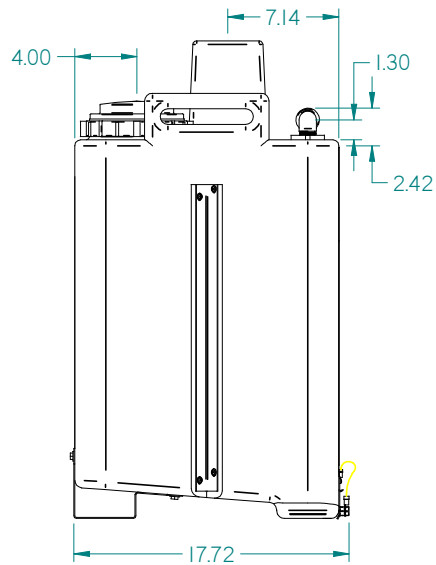
D

| | | | | | |
|--|---------------------|---------------------------------------|-----------------|--|-------------------|
| MATERIAL: | | N/A | | Midwest Technologies Illinois | |
| FINISH: | | N/A | | TITLE: TANK, 25gal 1/2" FITTING WITH AGITATION | |
| R5 6/25/99 99036-5 | R4 4/20/98 98105-2 | PROJECTION: | SCALE: UNITS: X | DRAWN BY: Bryan Reiser | |
| R3 3/19/98 98061-3 | R2 1/29/98 97318-7 | 1:8 | METRIC: | CHECKED BY: Alan Hines | |
| R1 9/2/97 97223 | R0 11/6/92 RELEASED | UNLESS OTHERWISE SPECIFIED TOLERANCE: | | APPROVED BY: Brian Saterius | |
| REV. DATE | NOC. No. | 0-1" ± .1" | 10-60" ± .1" | XX | SHEET No: DWG No: |
| | | 1-5" ± .25" | 60-120" ± .2" | XXX | 1 of 2 C-160-0035 |
| | | 5-10" ± .5" | 120" ± .3" | ZZ | |
| Midwest Technologies IL, LLC. Claims proprietary right in the material disclosed hereon. This document is not to be used in any way detrimental to the interest of Midwest Technologies IL, LLC. | | | | | |

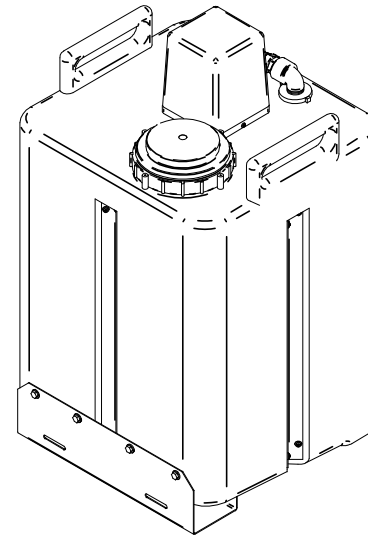
A



B



C



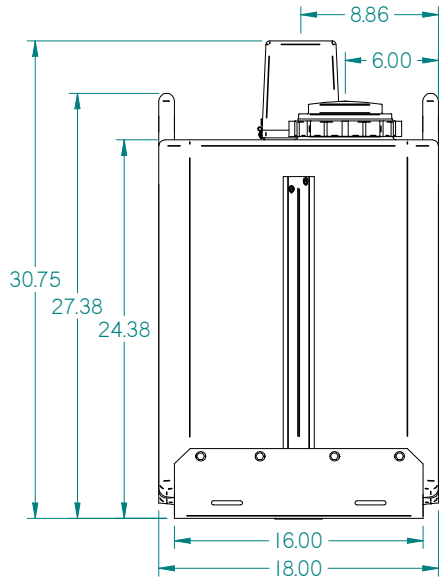
D


1

2

3

4



| | | | | | | | |
|------|---------|-------------|---------------------------------------|-----------------|-----------------------------|---|-----------------------------|
| | | MATERIAL: | | N/A | |  | |
| | | FINISH: | | N/A | | | |
| | | PROJECTION: | | SCALE: UNITS: X | | TITLE: TANK, 25gal 1/2" FITTING WITH AGITATION | |
| R5 | 6/25/99 | 99036-5 | 1:8 | | DRAWN BY: Bryan Reeves | | CHECKED BY: Alan Trudnowski |
| R4 | 4/20/98 | 98105-2 | | | APPROVED BY: Brian Saterius | | |
| R3 | 3/19/98 | 98061-3 | UNLESS OTHERWISE SPECIFIED TOLERANCE: | | SHEET No: 2 of 2 | | DWG No: C-160-0035 |
| R2 | 1/29/98 | 97318-7 | 0.1" +/- .1" 10-60" +/- .1" 3XX | | | | |
| R1 | 9/2/97 | 97223 | 1.5" +/- .25" 60-120" +/- .3" 1XX | | | | |
| R0 | 11/6/92 | RELEASED | 5-10" +/- .5" 120" +/- .3" 1XX | | | | |
| REV. | DATE | NO. No. | | | | | |

Midwest Technologies IL, LLC. Claims proprietary right in the material disclosed herein. This document is not to be used in any way detrimental to the interest of Midwest Technologies IL, LLC.