

ELECTROMAGNETIC FLOW METER

FM9380-F75 INFORMATION SHEET

Advantages of Electromagnetic Flow Meters

- No flow obstructions = no clogging risk
- No moving parts means no service or maintenance requirements
- Fast response times improves performance of regulating systems
- Works with any conducting fluid



Specifications	FM9380-F75
Rated Flow Range	0.6 to 100 GPM / 2.3 to 380 LPM
Accuracy	+/- 2% of reading between >1.0 GPM to 100 GPM / 3.8 LPM to 380 LPM +/- 5% of reading between 0.6 GPM to 1.0 GPM / 2.3 LPM to 3.8 LPM
Pressure Drop	4 PSI @ 100 GPM / 0.276 bar @ 380 LPM
Pressure Rating	200 PSI / 14 bar
Calibration Number	1,500 pulses per gallon / 396 pulses per liter
Fluid Requirements	Water based with conductivity >50 µs/cm
Inlets / Outlets	TeeJet F75 Series Flange
Materials	Polypropylene, 300 series stainless steel, Viton seals
Temperature Rating	Operating: 32°F to +140°F / 0°C to +60°C Storage: -40°F to 185°F / -40°C to +85°C
Voltage	4.5 to 16 VDC
Current	<1 amp
Output	50% Square Wave, NPN with a 10K pull-up resistor
LED's	Green — Power Flashing Orange — Flow 1 Hz @ 0.6 to 3 GPM / >2.3 to 11.4 LPM 3 Hz @ >3 to 15 GPM / >14.4 to 56.8 LPM 10 Hz @ >15 to 100 GPM / >56.8 to 380 LPM
Size	6.3" x 4.1" x 3.1" / 160 mm x 105 mm x 78 mm
Maximum Free Passage	0.58" / 14.7 mm
Equivalent Flow Diameter	0.85" / 21.6 mm
Weight	1.2 lbs / 0.5 kg
Ingress Protection	IP67

FM9380-F75

- Clean-sheet design optimized for agricultural application equipment
- Optimized design balances excellent low flow performance with low pressure loss at high flow rates
- Unaffected by changes in fluid temperature, density, viscosity, concentration and electrical conductivity
- Lifetime factory calibration - no field calibration needed
- Convenient TeeJet 75 series/Banjo 200 series flange connections
- LED indicators for power and flow signal
- Extremely wide 166:1 flow range
- CE Certified

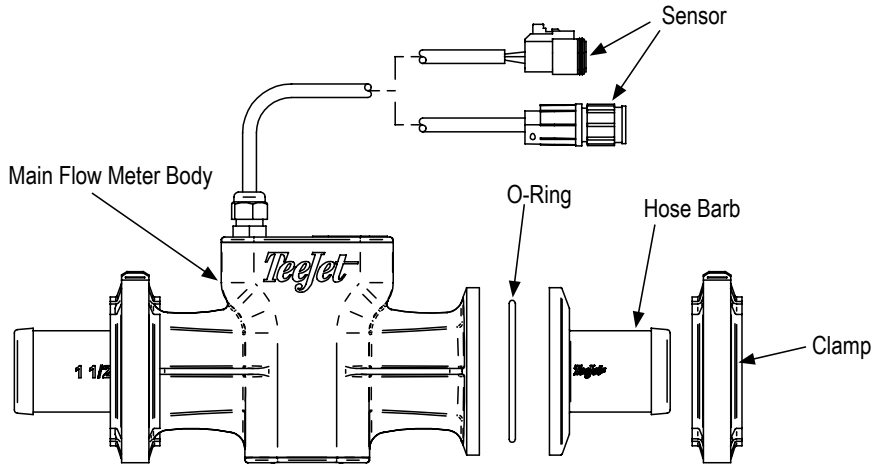
FM9380-F75, 75 Series Flange, 200 PSI, Deutsch
FM9380C-F75, 75 Series Flange, 200 PSI, Conxall

Cable Information

Connector, Deutsch 3 Pos/Skts (FM9380-F75)				
	Pin Out	Color	Function	Cable Length
	A	Red	+4.5V to 16V	1.654' / 0.5 m
	B	White	Signal	
	C	Black	Ground	

Connector, Conxall 3 Pos/Pins (FM9380C-F75)				
	Pin Out	Color	Function	Cable Length
	1	Black	Ground	1.654' / 0.5 m
	2	White	Signal	
	3	Red	+5V	

Flow Meter Diagrams



Dimensions

