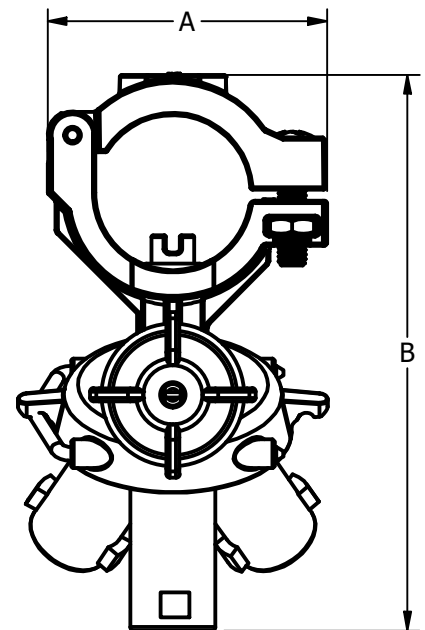


TO INSTALL NOZZLE BODY, DRILL 3/8" (9.5MM) DIA. HOLE IN PIPE, DEBURR, THEN INSERT BOTTOM SADDLE AND CLAMP ASSEMBLY IN PLACE



**OTHER FEATURES:**

- UPPER CLAMP INCLUDED WITH ASSEMBLY.
- QUICK HAND INDEXING WITH CHOICE OF THREE DIFFERENT SPRAY POSITIONS FOR EASIER CHANGING OF SPRAY PATTERNS OR APPLICATION RATES
- DRIP-FREE POSITIVE SHUT-OFF.
- SHUT-OFF POSITION PROVIDED BETWEEN ANY TWO SPRAYING POSITIONS.
- FAST AND EASY WAY TO MOUNT SPRAY NOZZLES TO A BOOM.
- MADE OF CORROSION RESISTANT MATERIALS.
- MAXIMUM OPERATING PRESSURE - 300 PSI (20 BAR)
- 8MM HEX SOCKET ON UPPER CLAMP STANDARD.

**HOW TO ORDER:**

QJ24216B-\*\*-NYB

*\*\*SPECIFY PIPE SIZE*

SIZES AVAILABLE: 20mm, 25mm, 1/2", 3/4", 1"

**INSTALLATION NOTE:**

- PLACE SCREW IN NUT AND BEGIN TURNING BY HAND (1-2 TURNS) TO ENSURE PROPER ENGAGEMENT BEFORE USING A LOW SPEED TORQUE GUN.
- TORQUE TO 20-23 IN-LBS.

PIPE SIZE	"A" (APPROX)	"B" (APPROX)
20mm	1.86" (47mm)	4.30" (109mm)
25mm	2.14" (54mm)	4.56" (115mm)
1/2"	1.93" (49mm)	4.36" (110mm)
3/4"	2.14" (54mm)	4.56" (115mm)
1"	2.40" (60mm)	4.83" (122mm)

**DESCRIPTION:**

NO. QJ24216B-\_\_-NYB  
QUICK TEEJET®TRIPLE  
OUTLET NOZZLE BODY



REVISION NO.	2	Data Sheet No.	
REFERENCE:	10/14/24	QJ24216B	
SHEET:	1 OF 1	DWG SIZE:	A