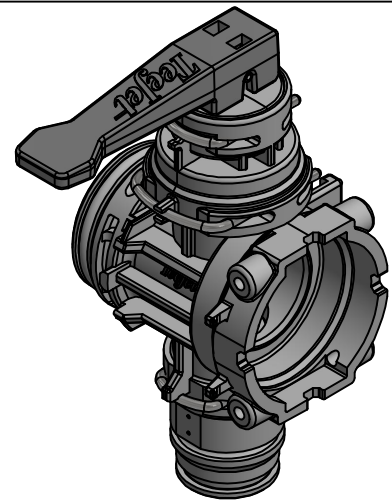


### **SPECIFICATIONS:**

- MAXIMUM PRESSURE RATING: 290 PSI (20 BAR)
- FLOW RATE: 10 GPM @ 5 PSI (37.9 L/MIN @ 0.34 BAR) PRESSURE DROP
- FLOW RATE: 14 GPM @ 10 PSI (53.0 L/MIN @ 0.68 BAR) PRESSURE DROP
- WETTED MATERIALS: POLYPROPYLENE, NYLON, STAINLESS STEEL, FKM
- HEIGHT: 6.1" (155 MM); LENGTH: 4.6 (117MM); WIDTH: 2.9" (73 MM); HANDLE LENGTH: 3.6" (91 MM)



### **FEATURES INCLUDE:**

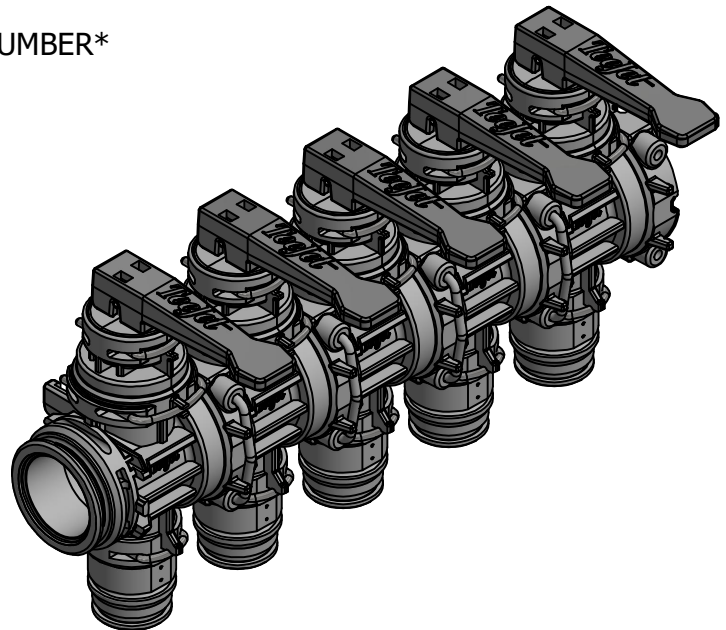
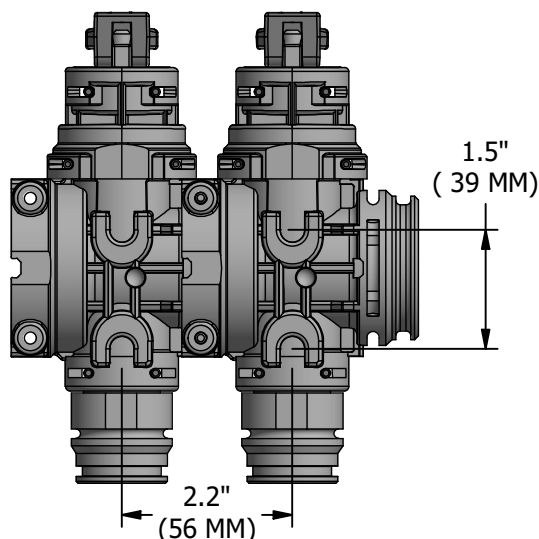
- MODULAR CLIPPED BODY ALLOWS FOR TOOL FREE ASSEMBLY OF VARIOUS ACCESSORIES AND MANIFOLD COMPONENTS
- ERGONOMIC HANDLE DESIGN; SHOWN IN CLOSED POSITION
- QUICK RELEASE HANDLE ALLOWS FOR FIELD INSPECTION
- OUTLET CONNECTIONS AVAILABLE IN STRAIGHT DIRECT HOSE BARBS (REFER TO PL191017) AND QUICK CONNECT STRAIGHT OR 90° HOSE BARBS (REFER TO PL45529)
- INLET CONNECTIONS AVAILABLE IN 90° HOSE BARBS AND THREADED OPTIONS (REFER TO PL191016)
- STAINLESS STEEL STEM PROVIDES EXCELLENT DURABILITY AND CHEMICAL RESISTANCE
- MOUNTING FEATURE REQUIRES M8 BOLT
- UPGRADEABLE TO ELECTRIC VERSION BY REPLACING HANDLE ASSEMBLY WITH MOTOR ASSEMBLY

### **ORDERING INFORMATION**

PART NUMBER: C530AM-2-\*

\*REFER TO DS191000 TO COMPLETE PART NUMBER\*

### **MOUNTING FEATURE**



### **DESCRIPTION:**

**C530AM  
2-WAY CLIPPED DIRECTOVALVE®  
MANUAL SHUT-OFF  
PLUNGER VALVE**

**TeeJet®  
TECHNOLOGIES**

REVISION NO.

1

Parts List No.

**DSC530AM-2**

REFERENCE:

3/24/24

SHEET:

1 OF 1

DWG SIZE:

A