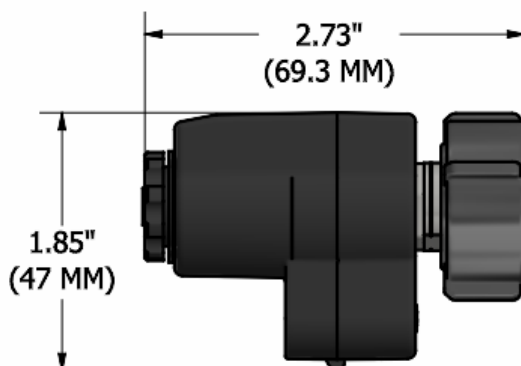
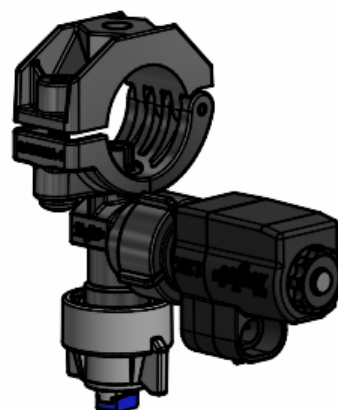


FEATURES:

- ELECTRIC SOLENOID SHUT-OFF VALVE
- VALVE IS NORMALLY CLOSED FOR SAFETY
- MAXIMUM 100 PSI (7 BAR) SPRAYING PRESSURE AT MINIMUM VOLTAGE (12V)
- 0.6 GPM (2.27 LPM) AT 5 PSI (0.34 BAR) PRESSURE DROP
- 0.8 GPM (3.18 LPM) AT 10 PSI (0.69 BAR) PRESSURE DROP
- ALL WETTABLE PARTS ARE STAINLESS STEEL OR VITON® EQUIVALENT
- CURRENT DRAW OF 0.9 AMPS (10 WATTS) AT 12 VOLTS
- VOLTAGE ENERGIZES THE SOLENOID COIL TO OPEN THE VALVE
- REMOVAL OF POWER ALLOWS A SPRING TO CLOSE THE VALVE
- REQUIRES 98552 CABLE w/ 2-PIN FEMALE SUPERSEAL 1.5 CONNECTOR

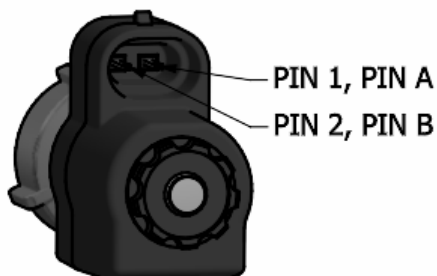


NOTE: IT IS RECOMMENDED TO INCLUDE A LINE STRAINER OF 80 MESH OR FINER WITH ALL e-CHEMSAVER® APPLICATIONS

WIRING CHART

PIN TERMINAL	WIRING
1	(+) POSITIVE
2	(-) NEGATIVE

NOTE: (+) & (-) TERMINALS CAN BE INTERCHANGED.



APPLICATION CHART

TEEJET NOZZLE BODY	e-CHEMSAVER P/N
QJ8360, QJT8360, 8360	115880-1-12
QJ17560A	115880-1-12
QJP19011	115880-1-12
QJ200 SERIES	115880-1-12
QJ300 SERIES	115880-1-12
QJ360E	115880-1-12
QJ39685	115880-1-12
13431	115880-1-12
24216A, 24230A, 24231A	115880-1-12
PUSH-TO-CONNECT SERIES	115880-1-12
QJ360C, QJ360F	115880-2-12
QJ370	115880-2-12
QJ22187	115880-2-12
QJ8355, 8355	115880-2-12
QJS SERIES	115880-4-12

VITON® IS A TRADEMARK OF THE CHEMOURS COMPANY

HOW TO ORDER: 115880- -12-

- TYPE (SEE APPLICATION CHART)
- VOLTAGE
- CABLE LENGTH CODE
 - BLANK = NO CABLE
 - 05 = 0.5 METER (20")
 - 15 = 1.5 METER (60")
 - 30 = 3.0 METER (120")
 - 60 = 6.0 METER (240")
 - 200 = 20.0 METER (800")

98552-2-__: CABLE (SEE DATA SHEET DS98552)
 CP116231-NYB: MAINTENANCE TOOL (DS116231)

DESCRIPTION:
115880-12 e-CHEMSAVER®
SOLENOID OPERATED
ELECTRIC SHUT-OFF VALVE



REVISION NO.	12	Data Sheet No.	
REFERENCE:	01/26/21	DS115880-12	
SHEET:	1 OF 1	DWG SIZE:	A